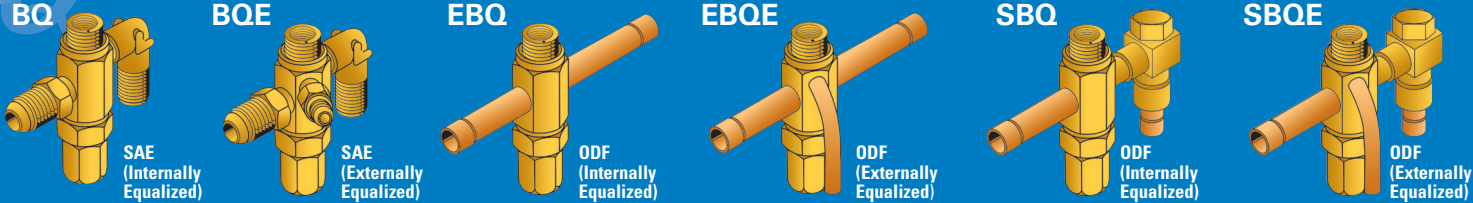


# INTERCHANGEABLE CARTRIDGE TEVS

# Type BQ BALANCED PORT



## 1 BODY



Replaceable Strainer  
 • U.S. Patent No. 5,232,015  
 • P/N 3427-000

## 2 CARTRIDGE

Top surface is color coded to identify cartridge capacity

Identification tag with cartridge code (bends around capillary tubing)



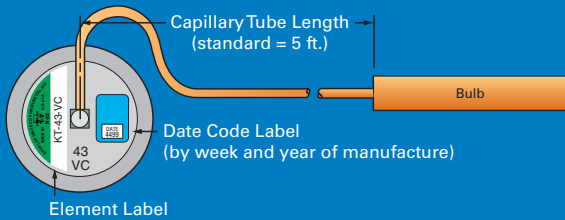
Capacity code on cartridge



NOMINAL CAPACITY (tons) of the Valve to be REPLACED									BQ VALVE CARTRIDGE	
R-12	R-22	R-134a	R-401A	R-402A	R-404A	R-410A	R-502	R-507	SIZE	COLOR CODE
1/8 thru 1/5	1/8 thru 1/3	1/8 thru 1/5	1/8 thru 1/5	1/8 thru 1/5	1/8 thru 1/5	1/4 thru 1/3	1/8 thru 1/5	1/8 thru 1/5	AAA	RED
1/4 thru 1/3	1/2 thru 2/3	1/4 thru 1/3	1/4 thru 1/3	1/4 thru 1/3	1/4 thru 1/3	1/4 thru 3/4	1/4 thru 1/3	1/4 thru 1/3	AA	YELLOW
1/2 thru 1	3/4 thru 1-1/2	1/2 thru 1	1/2 thru 1	1/2 thru 1	1/2 thru 1	1 thru 1-3/4	1/2 thru 1	1/2 thru 1	A	BLUE
1-1/4 thru 1-3/4	1-3/4 thru 3	1-1/4 thru 1-3/4	1-1/4 thru 1-3/4	1-1/4 thru 2	1-1/4 thru 2	2 thru 3-1/2	1-1/4 thru 2	1-1/4 thru 2	B	PINK
2 thru 3	3-1/4 thru 5-1/2	2 thru 3	2 thru 3	2-1/4 thru 3	2-1/4 thru 3	4 thru 6	2-1/4 thru 3	2-1/4 thru 3	C	WHITE

Note: BQ cartridge AA, A, B and C are also available with 15% bleed for R-22 and R-410A.

## 3 ELEMENT



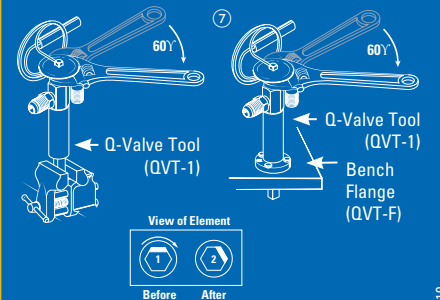
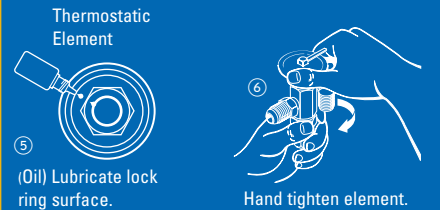
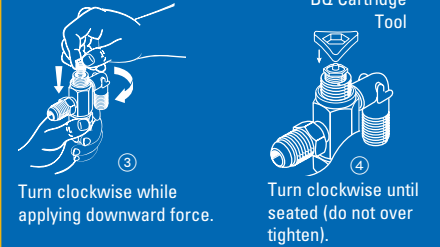
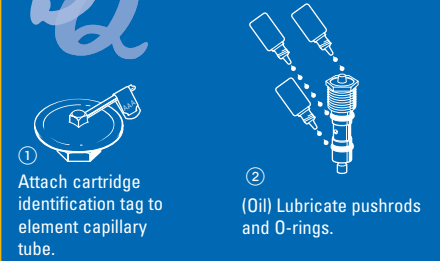
<b>KT</b>	<b>43</b>	<b>V</b>	<b>C</b>
Abbreviation for "Kit"	Element Size Number	*Refrigerant Code	Thermostatic Charge

\* While many new refrigerants and refrigerant blends have a unique letter code, many use the same thermostatic element as the traditional refrigerant they replace. Refer to the table at right to select the correct thermostatic element.

APPLICATION	REFRIGERANT										THERMOSTATIC ELEMENT	SYSTEM MOP psig			
	12	22	134a	401A	402A	404A	407A	407C	408A	409A			410A	502	507
AIR CONDITIONING	X	-	X	X	-	-	-	-	X	-	-	-	-	KT-43-FCP60	50
	-	X	-	-	-	-	X	X	-	-	-	-	-	KT-43-VCP100	90
	-	X	-	-	-	-	X	X	-	-	-	-	-	KT-43-VGA	-
	-	-	-	-	-	X	-	-	X	-	X	-	-	KT-43-SCP115	105
COMMERCIAL REFRIGERATION 50°F to -10°F	X	-	X	X	-	-	-	-	X	-	-	-	-	KT-43-FC	-
	-	X	-	-	-	-	X	X	-	-	-	-	-	KT-43-VC	-
	-	-	-	-	-	X	-	X	-	-	X	-	-	KT-43-SC	-
	-	-	-	-	X	-	-	-	-	-	-	X	-	KT-43-PC	-
LOW TEMPERATURE REFRIGERATION 0°F to -40°F	X	-	-	-	-	-	-	-	-	-	-	-	-	KT-43-FZ	-
	X	-	-	-	-	-	-	-	-	-	-	-	-	KT-43-FZP	12
	-	X	-	-	-	X	-	-	-	-	-	-	-	KT-43-VZ	-
	-	X	-	-	-	X	-	-	-	-	-	-	-	KT-43-VZP40	30
-	-	-	X	X	-	-	X	-	-	X	X	-	KT-43-SZ	-	
-	-	-	X	X	-	-	X	-	-	X	X	-	KT-43-SZP	35	

The Sporlan type ZP thermostatic charges have essentially the same characteristics as the conventional Z cross charges with one exception: they produce a pressure limit or MOP. The ZP charges are not intended as replacements for the Z charges - they should only be used where a definite pressure limit is required to prevent overloading the motor.

## COMPONENT ASSEMBLY



After hand tight, turn element clockwise 60° (or movement equal to one hex flat).