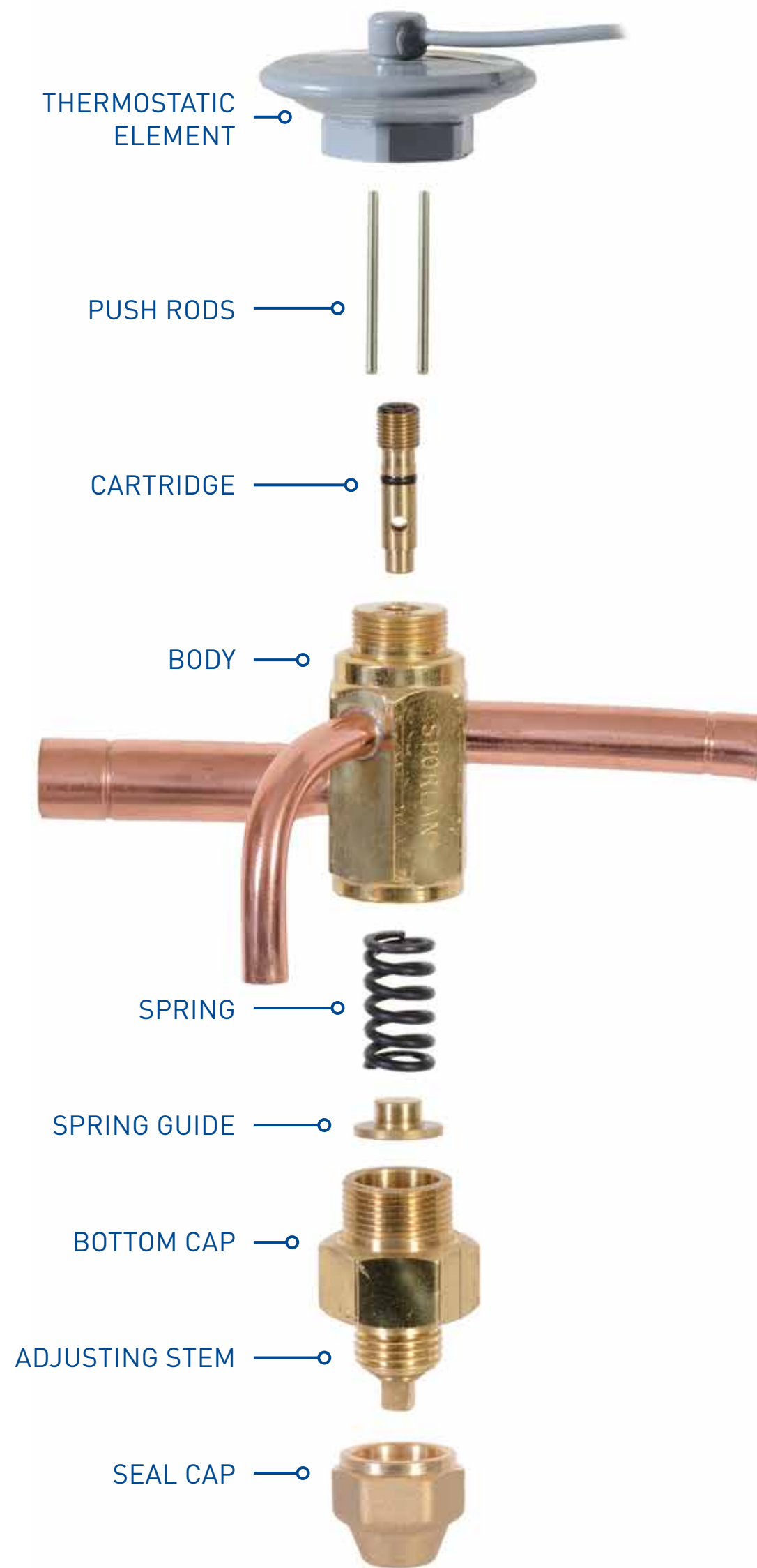


Thermostatic Expansion VALVES

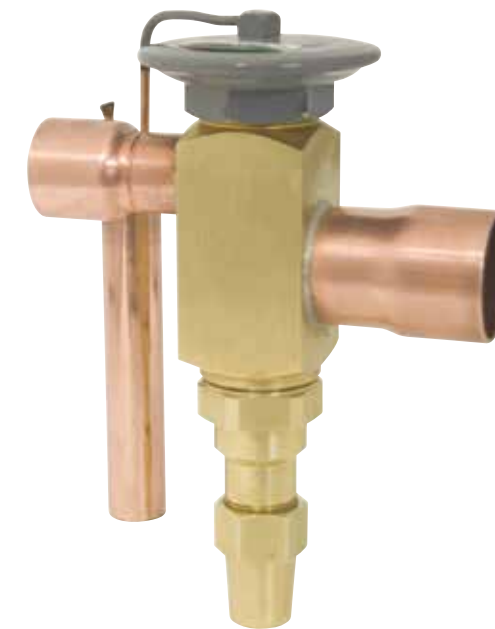
www.sporlanonline.com



EQ(E) Conventional Port



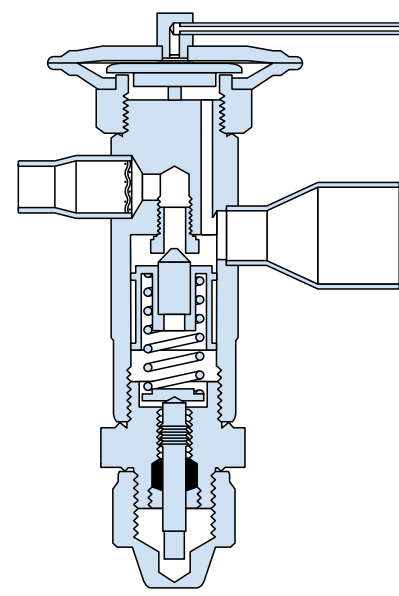
SR Balanced Port
REFRIGERATION



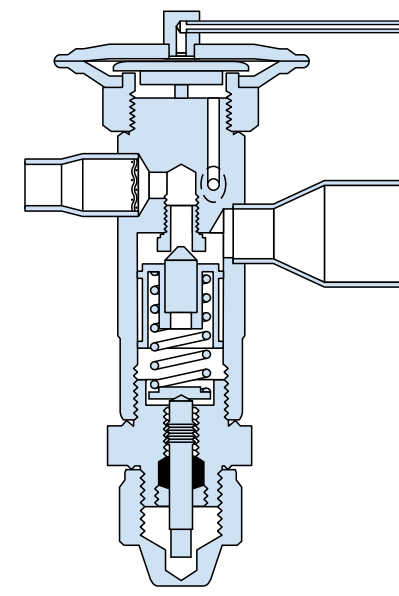
O (Large) Balanced Port
AIR CONDITIONING & REFRIGERATION



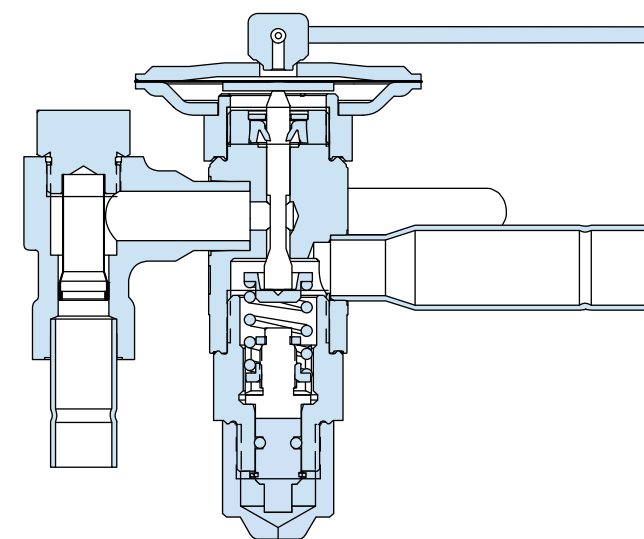
RC Balanced Port
AIR CONDITIONING & HEAT PUMP
with Check Valve feature



S Conventional Port
INTERNALLY EQUALIZED



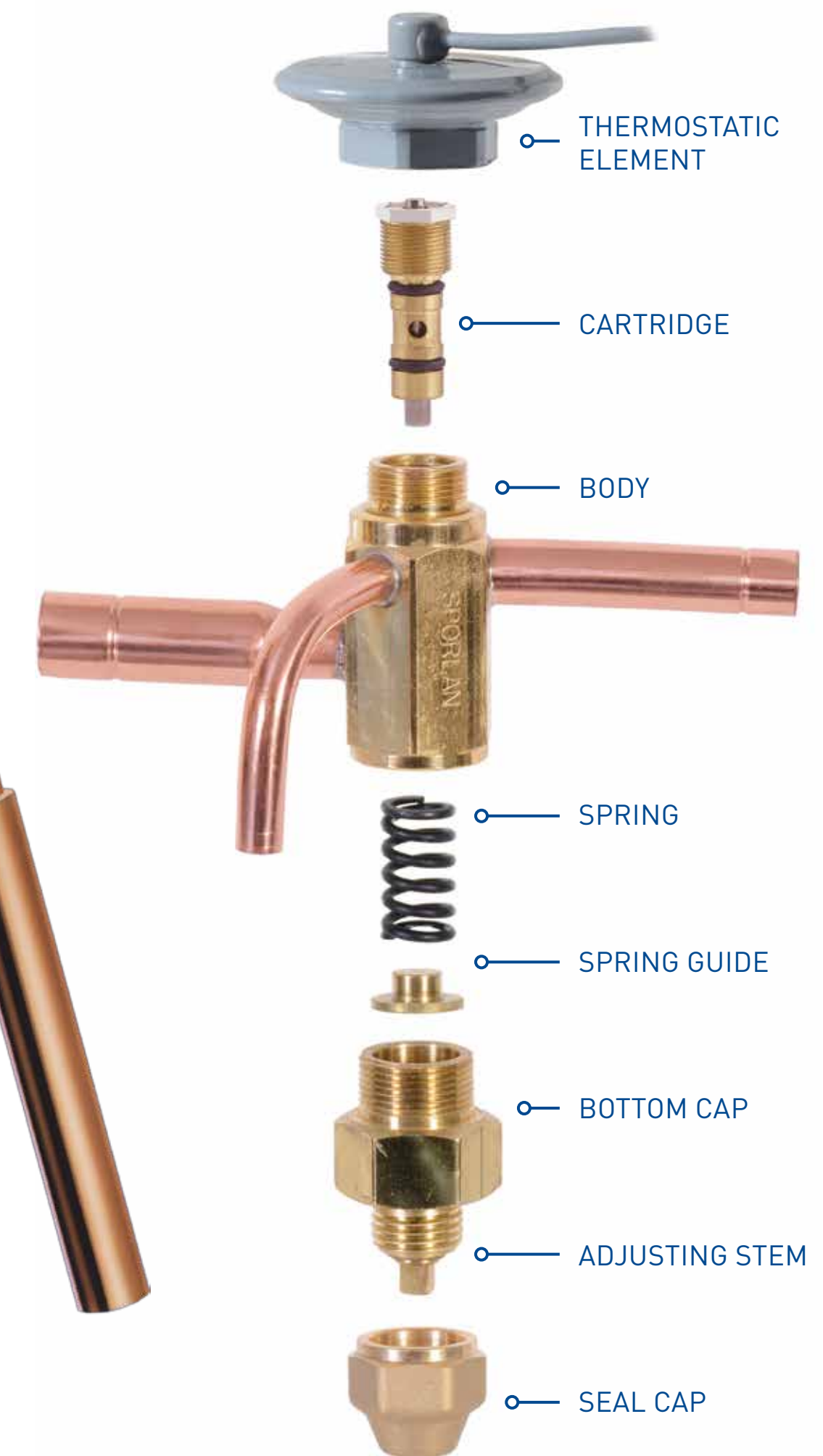
S Conventional Port
EXTERNALLY EQUALIZED



SR Balanced Port
INTERNALLY EQUALIZED



EG Conventional Port
REMOVABLE STRAINER



EBQ(E) Balanced Port

Form 10-416_0914



Parker Hannifin Corporation
Sporlan Division
206 Lange Drive, Washington, MO 63090 USA
phone 636.239.1111 • fax 636.239.9130

