



Thermostatic Expansion Valve

for Converting Non-Adjustable BI and I, or for Replacement of Adjustable Bottom Cap Assemblies on RI Valves

Installation Instructions

For KA-I/BI Bottom Cap Kits

1. Before disassembling the TEV, be sure the refrigerant pressure in the system has been reduced to a safe level (0 psig).
2. Remove the non-adjustable bottom cap and spring guide and discard both parts. Adjustable bottom assemblies for thermostatic expansion valves use a non-rising stem construction, and the spring guide is an integral part of the assembly. Refer to the following illustrations.
3. Note: Replacing internal parts of Type BI, I and RI valves can be quite difficult if these valves have been installed on their side, i.e., the bottom cap is neither above nor below the valve's thermostatic element (power head).

The expansion valve should be repositioned so the bottom of the valve is pointing up prior to reassembly. This will permit proper alignment of the pin carrier in the port. Failure to relocate the valve body in this position will prevent proper positioning of the pin carrier causing the valve to remain open. Locating the valve body with the thermostatic element on top is not recommended because it may allow the pushrods to drop out of the valve body during assembly.

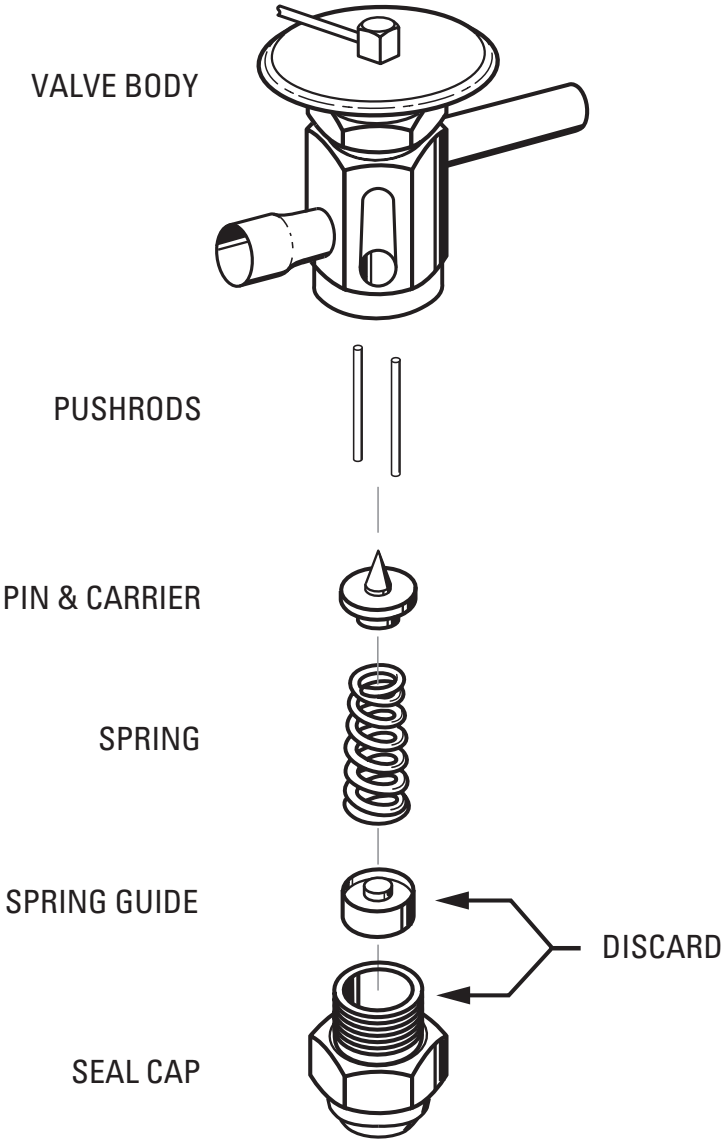
4. Install new adjustable bottom cap assembly furnished with kit.
5. With the system operating, check the superheat, (see enclosed Temperature-Pressure card), and adjust the valve if necessary. Install and tighten seal cap, this cap is the primary seal.

△ WARNING - USER RESPONSIBILITY

FAILURE OR IMPROPER SELECTION OR IMPROPER USE OF THE PRODUCTS DESCRIBED HEREIN OR RELATED ITEMS CAN CAUSE DEATH, PERSONAL INJURY AND PROPERTY DAMAGE.

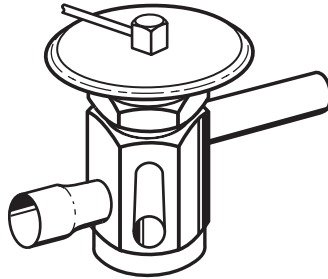
- This document and other information from Parker-Hannifin Corporation, its subsidiaries and authorized distributors provide product or system options for further investigation by users having technical expertise.
- The user, through its own analysis and testing, is solely responsible for making the final selection of the system and components and assuring that all performance, endurance, maintenance, safety and warning requirements of the application are met. The user must analyze all aspects of the application, follow applicable industry standards, and follow the information concerning the product in the current product catalog and in any other materials provided from Parker or its subsidiaries or authorized distributors.
- To the extent that Parker or its subsidiaries or authorized distributors provide component or system options based upon data or specifications provided by the user, the user is responsible for determining that such data and specifications are suitable and sufficient for all applications and reasonably foreseeable uses of the components or systems.

Non-adjustable



Adjustable

VALVE BODY



PUSHRODS



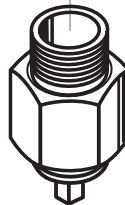
PIN & CARRIER



SPRING



BOTTOM
ADJUSTMENT
ASSEMBLY

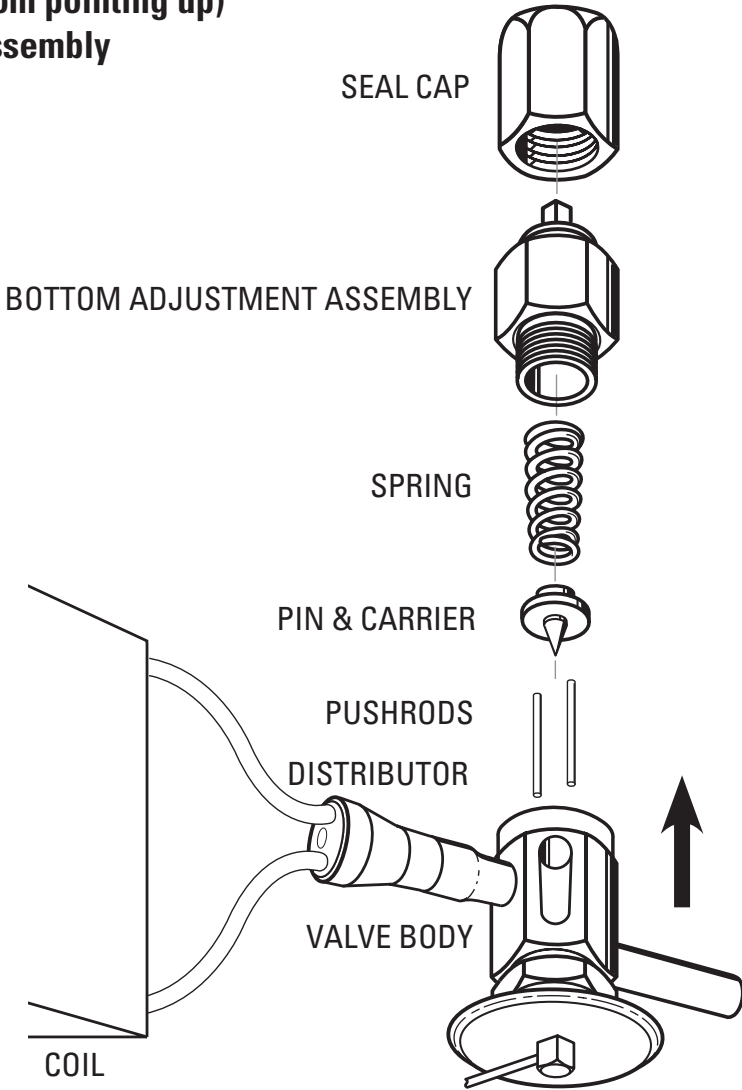


SEAL CAP



Valve Configuration

(Bottom pointing up)
for assembly



Sporlan Division, Parker Hannifin Corporation
206 Lange Drive, Washington, MO 63090 USA
phone 636-239-1111 • fax 636-239-9130
www.sporlan.com