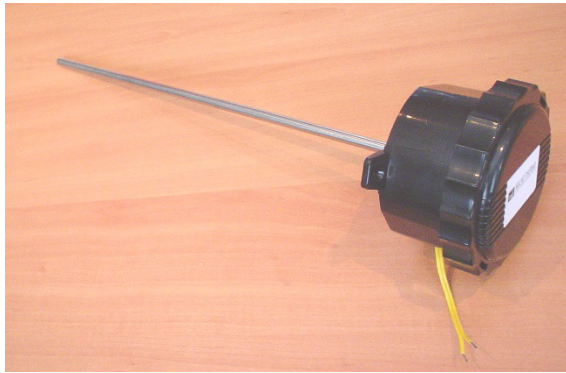


023-0159 12” Duct Temperature Sensor Spec & Installation Instructions



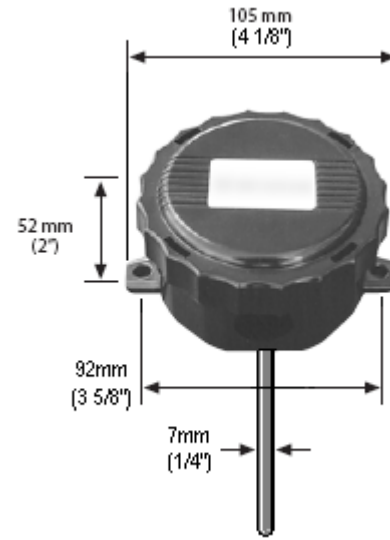
Duct & Box Temperature Sensor

This probe can be installed on a duct or on a top of a cooler or a freezer box.

It is designed for single point monitoring. It is available with various probe lengths to fit any application.

Specifications

Probe length	12"
Sensor type	10k type 2
Sensor Operating Temperature Range	-40 to 120 °C (-40 to 248 °F)
Enclosure type	ABS Euro style
Wiring Connections	Pig Tail (2 wire)
Accuracy before calibration	±0.2°C over 0 to 70°C (±0.4°F over 32 to 158°F)



Physical Installation

For DUCT application: The probe should be installed through a 1/4" hole in the side of the duct to monitor a single point temperature within the duct. Since the probes are tip sensitive, select a probe length that places the sensor well into the duct to avoid errors due to laminar flow. Install the probes in a straight section of duct away from heating, cooling or humidifier elements.

For BOX application: The probe should be installed through a 1/4" hole on the top of a box to measure condenser inlet air temperature.

Wiring & Color codes

Connect between input and GND terminal. This two-wire sensor is polarity insensitive.

MT Alliance Installation

Drop as a 023-0073 sensor model

Other available temperature sensor (* = regular stock)

MTT Part Number	Purpose	Sensor Type	Drop as
023-0073 *	Case temp	10k type 2	023-0073
023-0072 *	Pipe mount	10k type 2	023-0072
950-0590	Old fashion	AD590	950-0590
023-0252	Immersion	10k type 2	023-0073
952-0009 *	Penetration	10k type 2	023-0197
023-0254	Penetration	RTD pt 1k	RTD type PF
Call MTT	Other	Other	