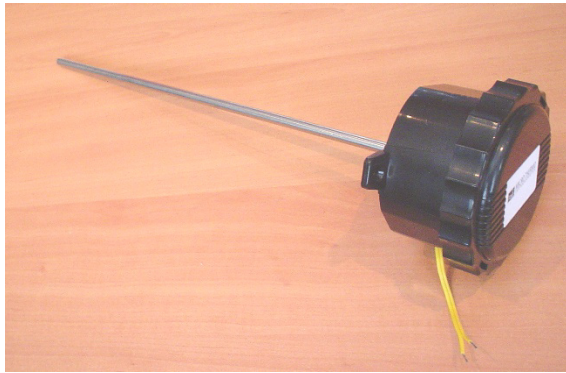


023-0329 8” Duct Temperature Sensor Spec & Installation Instructions



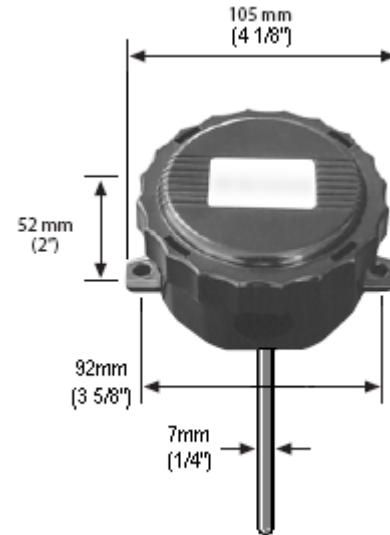
Duct Temperature Sensor

This probe can be installed on a duct or on a top of a cooler or a freezer box.

It is designed for single point monitoring. It is available with various probe lengths to fit any application.

Specifications

Probe length	8"
Sensor type	10k type 2
Sensor Operating Temperature Range	-40 to 120 °C (-40 to 248 °F)
Enclosure type	ABS
Wiring Connections	Pig Tail (2 wire)
Accuracy before calibration	±0.2°C over 0 to 70°C (±0.4°F over 32 to 158°F)



Physical Installation

The duct type probes are installed through a 1/4" hole in the side of the duct to monitor a single point temperature within the duct. Since the probes are tip sensitive, select a probe length that places the sensor well into the duct to avoid errors due to laminar flow. Install the probes in a straight section of duct away from heating, cooling or humidifier elements.

Wiring & Color codes

Connect between input and GND terminal. This two-wire sensor is polarity insensitive.

MT Alliance Installation

Drop as a 023-0073 or a 023-0329 sensor model

Other available duct temperature sensor (* = regular stock)

MTT Part Number	Probe Length	Sensor Type	Drop as
023-0329 *	8"	10k type 2	Same
023-0159 *	12"	10k type 2	Same
023-0053	8"	10k type 3	Same
023-0196	12"	10k type 3	023-0053
Call MTT	Other	Other	