

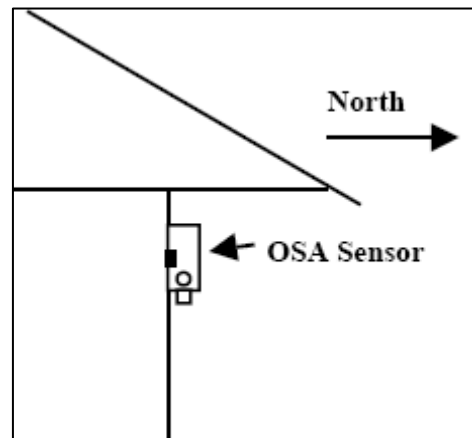
023-0031 Outside air Relative humidity transmitter and temperature sensor

Specifications

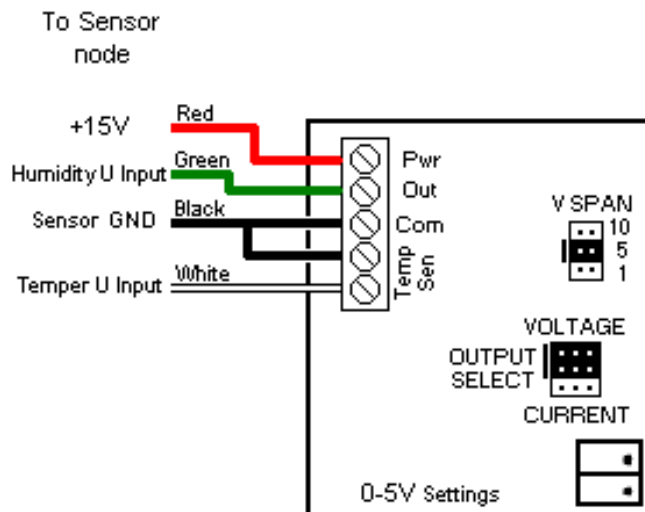


Humidity Sensor	
Accuracy	±2% RH
Power Supply	15-24VAC or DC
Output	0-5V (jumper selectable)
Operating Temperature	-40 to 80°C (-40 to 176°F)
Temperature Sensor	
	10k type 2 thermistor
Temperature range	-40 to 65°C (-40 to 149°F)
Temperature accuracy	±0.5°C (±0.9°F)

For best results locate the sensor on the north side of the structure high under an eave to prevent incorrect readings from direct sunlight and damage due to the elements. Mount the OSA enclosure with the sensor facing down.



Connections



Other available wall temperature sensor (* = regular stock)

MTT Part Number	Probe application	Sensor Type	Drop as
023-0327 *	Temp only for indoor Wall	10k type 2	023-0026
023-0026 *	Temp+RH for indoor Wall	10k type 2	023-0026
Call MTT	Other	Other	