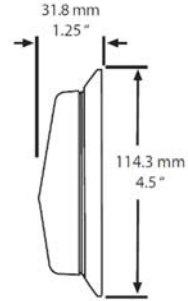


023-0026 Wall Humidity & Temperature Sensor Spec & Install Instructions

Space Relative Humidity & Temperature Sensor

This probe is designed for relative humidity and temperature measurement of occupied spaces. The relative humidity transmitter uses a capacitive type humidity sensor and a microprocessor temperature compensation for reliable, accurate readings.



Specifications

Probe application	Space temperature	Space Humidity
Signal type	10k type 2	0-5V or 4-20mA (0-100%)
Sensor Operating Temperature Range	-20 to 70 °C (-4 to 158 °F)	0 to 70°C (32 to 158°F)
Enclosure type	Wall (Design)	same
Wiring Connections	2 terminal screws	3 terminal screws 18 awg
Accuracy before calibration	±0.2°C over 0 to 70°C (±0.4°F over 32 to 158°F)	±2% RH; 5% to 95% RH
Power	N/A	12-24Vac/dc

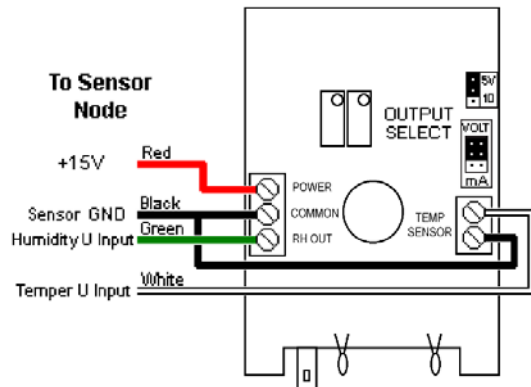
Physical Installation

This space sensor can be mounted directly on a wall or to a wall box. For the most accurate results, units should be mounted on an inside wall to a wall box, away from any supply air exhausts and other sources of heat or cold. Leave the foam isolator on the back of the sensor enclosure.

Use a 1.6mm Allan key and turn bottom screws CW until you can open the cover from bottom. You need to open cover to screw the sensor to the wall and to make wire connections.

Wiring & Color codes

- Remove power to the transmitter before changing between voltage and current output operation. Anti-static precautions should be taken to prevent damage to the device. Four wires are required to make the connection to the sensor node. The temperature sensor is polarity insensitive. Connect the temperature sensor between input and GND terminal.



MT Alliance Installation

Drop as a Micro Thermo 023-0026 sensor model

Other available wall mount temperature sensor (* = regular stock)

MTT Part Number	Probe application	Sensor Type	Drop as
023-0327 *	Temp only Wall mount	10k type 2	023-0327
023-0026 *	Temp+RH Wall mount	10k type 2	023-0026
023-0046	Temp only Wall mount	10k type 3	023-0046
023-0178	Temp+RH Wall mount	10k type 3	023-0178
Call MT Order	Other	Other	