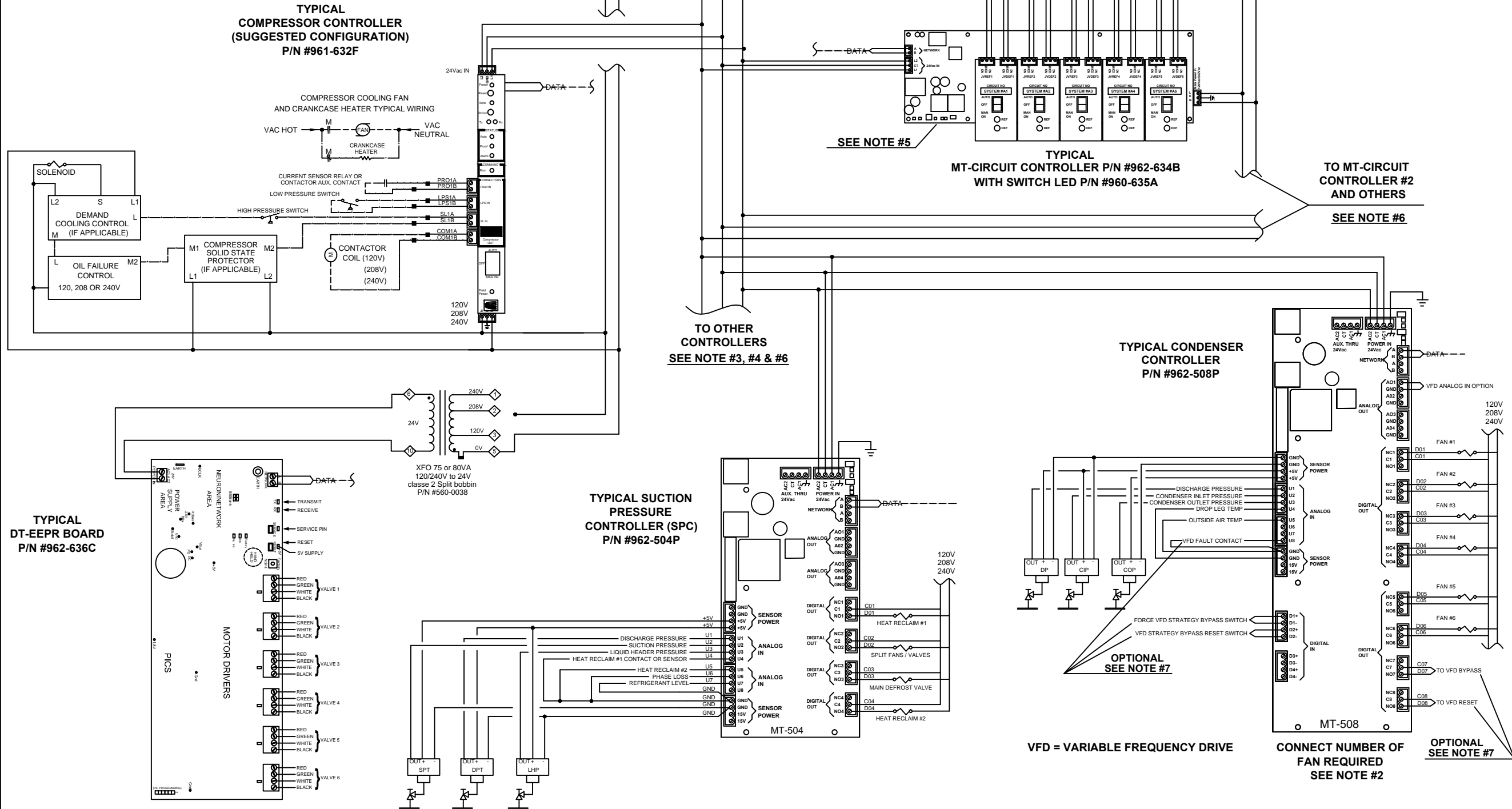


- NOTES:**
1. ALL NETWORK CONNECTORS ARE DAISY-CHAINED AND TERMINATED AT TERMINAL BLOCKS 'A' & 'B'
  2. IF 4 FANS USE MT-504  
IF 8 FANS USE MT-508  
IF 12 FANS USE MT-512  
CONDENSER CONTROL STRATEGY, USER-DEFINED REMOVE 2 FANS IF INVERTER FAULT SWITCH IS SELECTED
  3. ONE SPC PER SUCTION GROUP
  4. ONE COMPRESSOR CONTROLLER PER COMPRESSOR
  5. MAXIMUM OF 5 REFRIGERATION CIRCUITS PER CIRCUIT CONTROLLER. THE SAME CIRCUIT CONTROLLER CANNOT BE USED SIMULTANEOUSLY BY LOW TEMPERATURE AND MEDIUM TEMPERATURE CIRCUITS.
  6. MAXIMUM 6 CONTROLLERS PER POWER WIRE RUN
  7. OPTIONAL WHEN INVERTER FAULT SWITCH IS SELECTED

120/208/240VAC 1PH 60Hz  
SUPPLIED & PROTECTED BY CUSTOMER



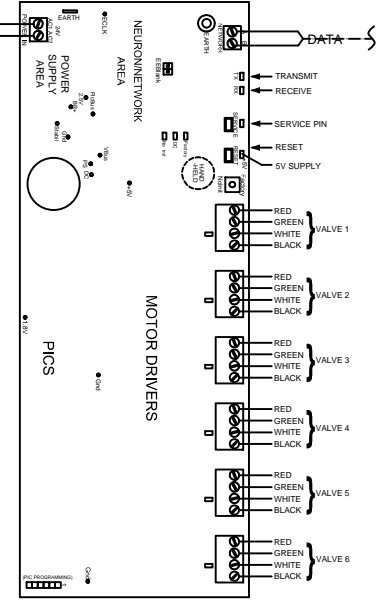
**TYPICAL COMPRESSOR CONTROLLER (SUGGESTED CONFIGURATION) P/N #961-632F**

**TYPICAL SUCTION PRESSURE CONTROLLER (SPC) P/N #962-504P**

**TYPICAL MT-CIRCUIT CONTROLLER P/N #962-634B WITH SWITCH LED P/N #960-635A**

**TYPICAL CONDENSER CONTROLLER P/N #962-508P**

**TYPICAL DT-EPR BOARD P/N #962-636C**



DATE	DESCRIPTION	REV.
2014-11-04	Update Logo & Adress	05
2008-09-17	ADD VFD TITLE (R.L.)	04
2008-09-11	CHANGE WIRING (P.M.)	03
2008-07-17	120-208-240V & FAN ON NC (RL)	02
2005-03-17	CONDENSOR CONTROLLER CONNECTION	01

SYSTEM :  
**REFRIGERATION**

AUTOMATISATION / CONTROL :

Micro Thermo Technologies™  
12855 Rue Brault, Mirabel  
Quebec, Canada, J7J 0C4  
Tel: (450) 668-3033  
Fax: (450) 668-2695

TITLE:  
**TYPICAL REFRIGERATION SCHEMATIC WITH SWITCH LED**

PART# :  
XXX-XXX

Drawn By : G.Q.	Designed By : L.M.	Approved By : A.H.	Revision : 05
Scale : N.T.S	Date : 2004-08-23	File Name : A-001b REFRI. SCHEMATIC W/SWLED	

