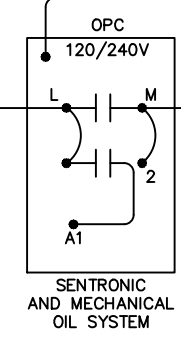
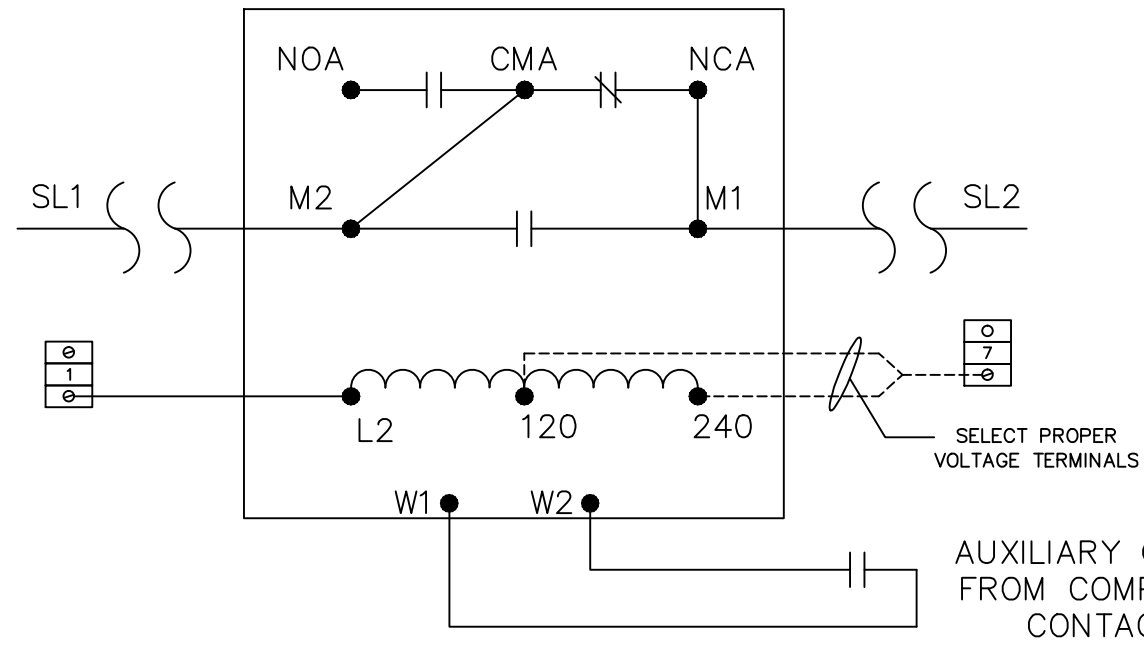


**LEGEND :**  
 C : CONTACTOR  
 CP : COMPRESSOR PROOFING  
 CSR : CURRENT SENSING RELAY  
 DCC : DEMAND COOLING  
 DCV : DEMAND COOLING VALVE  
 OPC : OIL PRESSURE CONTROL  
 LPC : LOW PRESSURE CONTROL  
 HPC : HIGH PRESSURE CONTROL  
 TDR : TIME DELAY RELAY  
 SW : SWITCH



**JOHNSON LUBE OIL CONTROL SYSTEM P545**



--	----	07
--	----	06
2014-11-04	Update Logo & Adress	05
2012-05-16	Modification on DATA Description	04
2009-12-11	Wirring change for Unloader (P.M.)	03
2007-01-24	J.C. Lube oil control system	02
2006-09-29	J.C. Lube oil control system	01
DATE	DESCRIPTION	REV.

SYSTEM :  
**REFRIGERATION**

AUTOMATISATION / CONTROL :

**Parker**  
 Micro Thermo Technologies™  
 12855 Rue Brault, Mirabel  
 Quebec, Canada, J7J 0C4  
 Tel: (450) 668-3033  
 Fax: (450) 668-2695

TITLE:  
**COMPRESSOR CONTROLLER 120/208  
 Vac c/w HIGH PRESSURE CONTROL,  
 & OIL PRESSURE CONTROL  
 WITH (MT-UNLOADER)**

PART# :  
**961-631F**

Drawn By : G.Q.	Designed By : L.M.	Approved By : A.H.	Revision : 05
Scale : N.T.S	Date : 2004-08-23	File Name : A-103 COMP CTRL DIAG #1	