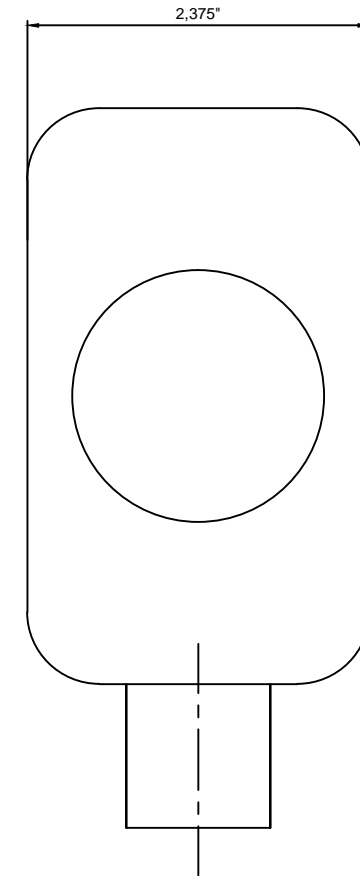
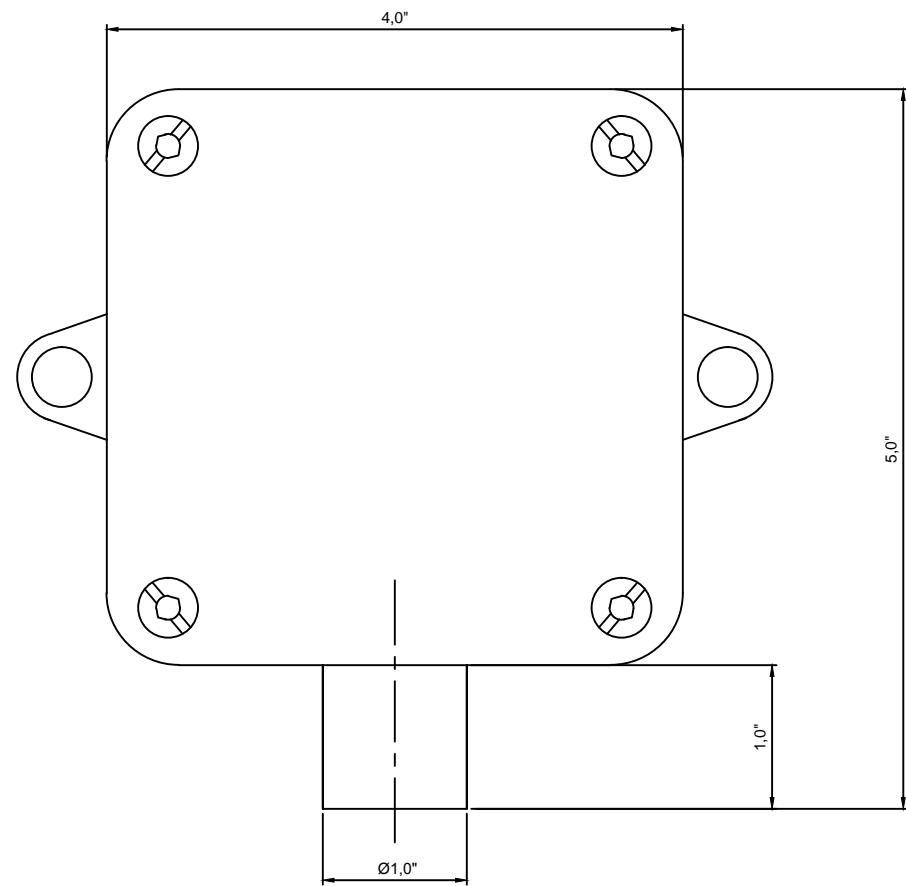
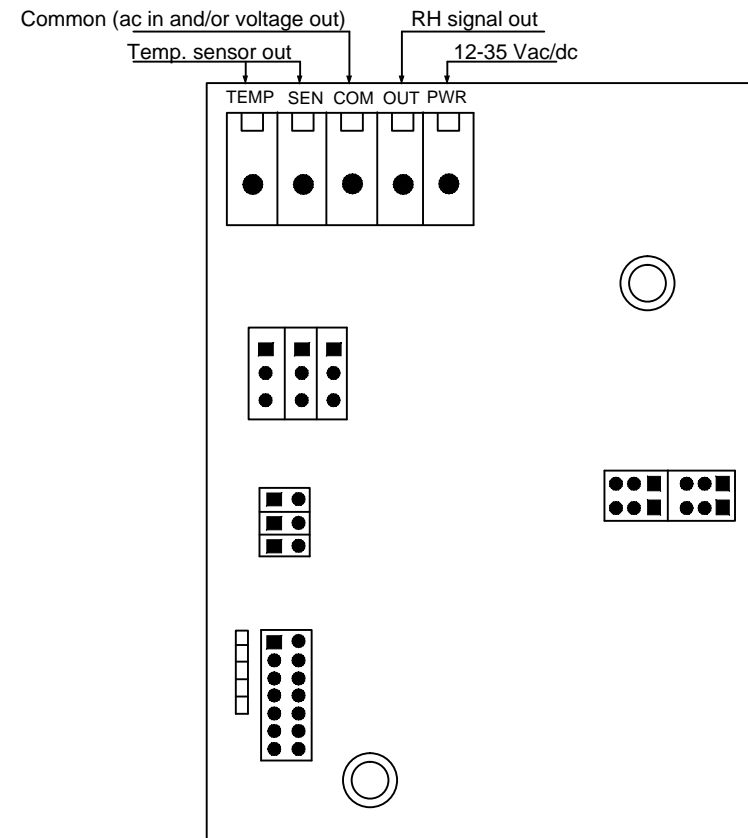


ENCLOSURE



WIRE CONNECTIONS



SPECIFICATIONS: (HUMIDITY)

- SYSTEM ACCURACY: ±2, 3, OR 5 % RH, 5% TO 95% RH
- COMPENSATED TEMP.: -40 TO 85 °C(-40 TO 185 °F)
- REPEATABILITY : ±0.5% RH
- OUTPUT SIGNAL TYPE : 4-20mA, 0-1VDC, 0-5VDC, 0-10VDC (JUMPER SELECTABLE)
- POWER SUPPLY : 12-35VDC AT UNIT(LOOP POWERED) 24VAC/DC NOMINAL ±10% (3 WIRE)
- WIRING CONNECTION : SCREW TERMINALS (14 20 22 AWG) (JUMPER SELECTABLE)

SPECIFICATIONS: (TEMPERATURE TRANSMITTER)

- SUPPLY VOLTAGE: 24VDC/AC
- OUTPUT TYPE: 4-20mA, 0-5VDC, 0-10VDC
- ACCURACY: ±0.1% OF SPAN
- OSA OPERATING TEMP. : -40-85 °C (-40-195 °F)
- TEMPERATURE. SENSOR: 1000 Ω STANDARD 100 Ω OPTIONAL

-	----	07
-	----	06
-	----	05
-	----	04
-	----	03
2014-12-01	Update Logo & Adress	02
2008-12-16	New Part # (D.P.)	01
DATE	DESCRIPTION	REV.

SYSTEM :  
**REFRIGERATION**

AUTOMATISATION / CONTROL :



Micro Thermo Technologies™  
12855 Rue Brault, Mirabel  
Quebec, Canada J7J 0C4  
Tel: (450) 668-3033  
Fax: (450)668-2695

TITLE:  
**OUTSIDE TEMP./HUM. SENSOR**

PART#:  
**023-0031**

Drawn By : G.Q.	Designed By : L.M.	Approved By : A.H.	Revision : 02
Scale : N.T.S	Date : 2012-03-27	File Name : S-004 PROBE 023-0031	