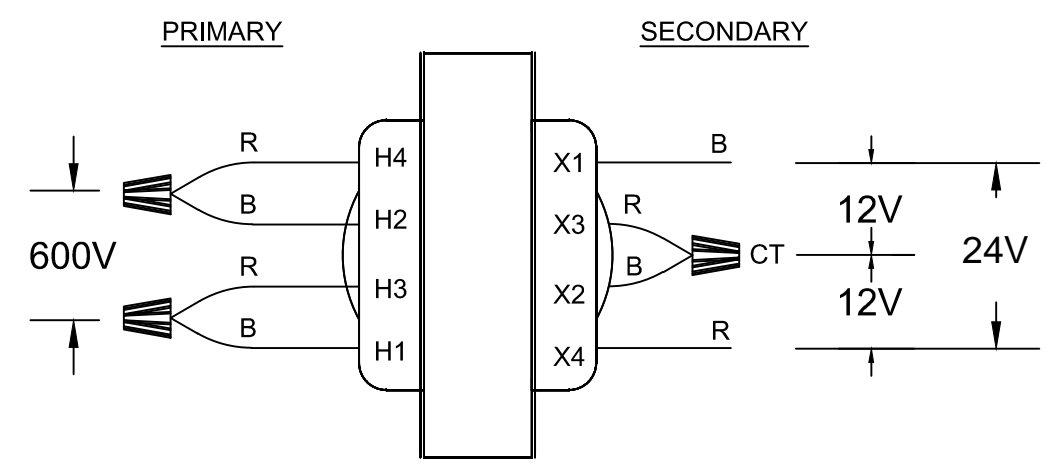


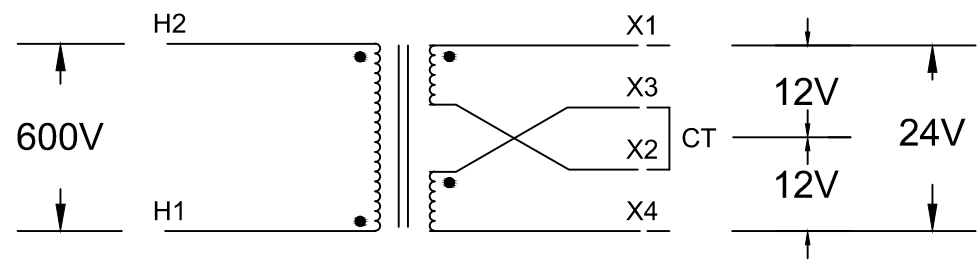
**DIMENSIONS**  
 A- 2-3/4"  
 B- 3"  
 C- 5-1/2"

ISOMETRIC VIEW

HOW TO CONNECT?



WIRING PRINCIPLES FOR CT CONNECTIONS



600VAC WIRING

**NOTE:**  
 DO NOT RELY ONLY ON THE WIRE COLOUR, RESPECT WIRE ORDER ALSO.  
 #18 AWG WIRE

--	----	07
--	----	06
--	----	05
--	----	04
--	----	03
--	----	02
2014-12-03	Update Logo & Adress	01
DATE	DESCRIPTION	REV.

SYSTEM :  
**REFRIGERATION**

AUTOMATISATION / CONTROL :

Micro Thermo Technologies™  
 12855 Rue Brault, Mirabel  
 Quebec, Canada J7J 0C4  
 Tel: (450) 668-3033  
 Fax: (450) 668-2695

TITLE:  
**TRANSFORMER 50VA  
 CLOSED TYPE PRI, 600V  
 SEC. 12/24VCT**

PART#:  
**560-0029**

Drawn By : D.P.	Designed By : L.M.	Approved By : L.M.	Revision : 01
Scale : N.T.S	Date : 2014-02-21	File Name : T-010 XFO 560-0029	