
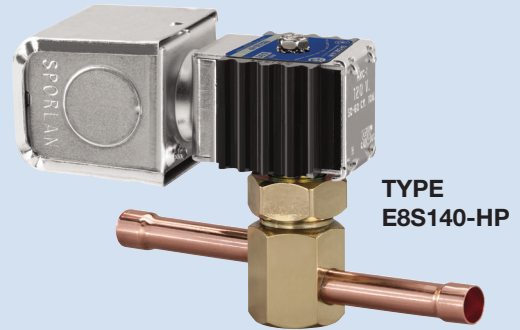


E8-HP SERIES SOLENOID VALVES

- For Refrigerants 22, 134a, 401A, 402A, 404A, 407C, 407F, 410A, 502, 507
- Compact, Pilot Operated, Disc Construction
- Mount Horizontally, on Side, or in a Vertical Line
- MKC-1 and OMKC-1 Coils, Class F
- 



APPLICATION

Sporlan's **Type E8 Series** are compact solenoid valves with pilot operated disc construction for refrigeration and air conditioning. These valves **may be mounted horizontally, on their side or in a vertical line**. They are suitable for suction line service because very low pressure differential, 1 psi, is required for full operation.

The **Type E8** series solenoid valves features extended solder type connections as standard and the MKC-1 coil. One important benefit to the user is that all valves in the "**E8**" series can be installed without disassembly using either low or no silver content brazing alloy.

The MKC-1 and OMKC-1 coils are Class "F" temperature rated and are provided as standard, therefore a high temperature coil is not required for discharge service.

ORDERING INSTRUCTIONS

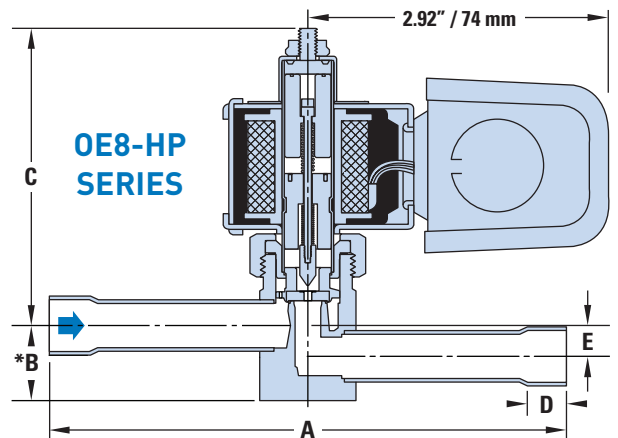
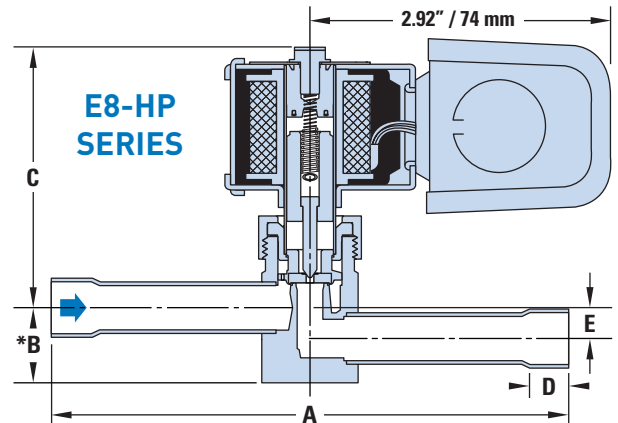
When ordering complete valves, specify Valve Type, Connections, Voltage and Cycles.

When ordering Body Assembly, specify Valve Type and Connections.

When ordering Coil Assembly ONLY, specify Coil Type, Voltage and Cycles.

Example: MKC-1 120/50-60.

DIMENSIONS



Inches (mm)

VALVE SERIES	TYPE	A	B	C	D	E
E8-HP	E8S140-HP	5.04 (128)	0.73 (19)	2.59 (66)	0.38 (10)	0.30 (8)
	ME8S140-HP		1.83 (46)			
	OE8S140-HP		0.73 (19)	2.89 (73)		

*For Manual Lift Stem add 1.10" (28).



ENGINEERING YOUR SUCCESS.

SPECIFICATIONS - E8-HP SERIES

VALVE SERIES	TYPE	COIL TYPE	STANDARD CONNECTION Inches	PORT SIZE Inches	MOPD psi (bar)		NOMINAL LIQUID CAPACITIES Tons (kW) of Refrigerant										STANDARD COIL RATINGS	
							REFRIGERANTS											
							22	134a	401A	402A	404A	407C	407F	410A	507			
							Pressure Drop – psi (bar)											
				3	2	2	3	3	3	3	5	3	VOLTS/CYCLES		WATTS			
				AC	DC	3 (0.20)	2 (0.14)	2 (0.14)	3 (0.20)	3 (0.20)	3 (0.20)	3 (0.20)	5 (0.43)	3 (0.20)			AC	DC
E8-HP	E8S140-HP	MKC-1	1/2 ODF x 1/2 ODF	1/4	450 (31)	450 (31)	6.39 (22.8)	4.87 (17.1)	5.23 (18.4)	4.22 (14.8)	4.23 (14.9)	5.88 (20.7)	6.09 (21.4)	7.82 (27.5)	4.14 (14.6)	24/50-60 120/50-60 208/50-60 208-240/50-60 120-208-240/50-60	10	15
	ME8S140-HP																	
	OE8S140-HP	OMKC-1			400 (27.6)	400 (27.6)												

E8-HP and ME8-HP maximum rated pressure (MRP) is 700 psig (48 bar). OE8-HP maximum rated pressure (MRP) is 650 psig (45 bar).

Dual voltage 4-wire coils, 120-208-240/50-60 are available at slight additional cost. For other voltages and cycles, consult Sporlan, Washington, MO 63090
Coils are available with junction box. For conduit boss, please contact Sporlan Division for availability.

REFRIGERANT LIQUID TEMPERATURE CORRECTION FACTORS

REFRIGERANT LIQUID TEMPERATURE °F (°C)	40	50	60	70	80	90	100	110	120	130	140
	(5)	(10)	(15)	(21)	(27)	(32)	(38)	(43)	(49)	(54)	(69)
R-22	1.33	1.27	1.22	1.17	1.11	1.06	1.00	0.94	0.89	0.83	0.77
R-134a	1.39	1.33	1.26	1.20	1.13	1.07	1.00	0.93	0.87	0.80	0.73
R-401A	1.34	1.29	1.23	1.17	1.12	1.06	1.00	0.94	0.88	0.82	0.75
R-402A	1.57	1.48	1.39	1.29	1.20	1.10	1.00	0.90	0.79	0.68	0.56
R-404A	1.58	1.49	1.39	1.30	1.20	1.10	1.00	0.90	0.79	0.68	0.57
R-407C	1.45	1.38	1.30	1.23	1.15	1.08	1.00	0.92	0.84	0.75	0.67
R-407F	1.42	1.35	1.28	1.21	1.14	1.07	1.00	0.93	0.85	0.78	0.70
R-410A	1.45	1.38	1.30	1.23	1.15	1.08	1.00	0.92	0.83	0.74	0.64
R-507	1.54	1.45	1.36	1.27	1.18	1.09	1.00	0.90	0.80	0.69	0.56

Correction Factor

LIQUID CAPACITIES - IP/METRIC

REFRIGERANT	TONS OF REFRIGERATION					kW OF REFRIGERATION				
	PRESSURE DROP - psi*					PRESSURE DROP - bar*				
	1	2	3	4	5	0.07	0.1	0.2	0.3	0.4
R-22	3.69	5.22	6.39	7.38	8.25	13.0	15.6	22.1	27.1	31.3
R-134a	3.44	4.87	5.96	6.88	7.70	12.1	14.6	20.7	25.3	29.2
R-401A	3.70	5.23	6.40	7.39	8.27	13.0	15.7	22.1	27.1	31.3
R-402A	2.43	3.44	4.22	4.87	5.44	8.56	10.3	14.6	17.9	20.6
R-404A	2.44	3.45	4.23	4.88	5.46	8.59	10.3	14.6	17.9	20.7
R-407C	3.39	4.80	5.88	6.79	7.59	11.9	14.4	20.3	24.9	28.8
R-407F	3.51	4.97	6.09	7.03	7.86	12.4	14.9	21.0	25.8	29.8
R-410A	3.50	4.95	6.06	6.99	7.82	12.3	14.8	20.9	25.7	29.6
R-507	2.39	3.38	4.14	4.78	5.35	8.41	10.2	14.3	17.5	20.3

*Liquid capacity is based on 110°F (43°C) condensing temperature, 100°F (38°C) liquid temperature and 40°F (5°C) evaporating temperature. For each 10°F (5°C) reduction in evaporating temperature, capacities are reduced by approximately 1.5%.

⚠ WARNING – USER RESPONSIBILITY

Failure or improper selection or improper use of the products described herein or related items can cause death, personal injury and property damage.

This document and other information from Parker Hannifin Corporation, its subsidiaries and authorized distributors provide product or system options for further investigation by users having technical expertise.

The user, through its own analysis and testing, is solely responsible for making the final selection of the system and components and assuring that all performance, endurance, maintenance, safety and warning requirements of the application are met. The user must analyze all aspects of the application, follow applicable industry standards, and follow the information concerning the product in the current product catalog and in any other materials provided from Parker or its subsidiaries or authorized distributors.

To the extent that Parker or its subsidiaries or authorized distributors provide component or system options based upon data or specifications provided by the user, the user is responsible for determining that such data and specifications are suitable and sufficient for all applications and reasonably foreseeable uses of the components or systems.

For safety information see the Safety Guide at www.parker.com/safety or call 1-800-CParker.

OFFER OF SALE

The items described in this document are hereby offered for sale by Parker Hannifin Corporation, its subsidiaries or its authorized distributors. This offer and its acceptance are governed by the provisions stated in the detailed "Offer of Sale" available at www.parker.com.

FOR USE ON AIR CONDITIONING and REFRIGERATION SYSTEMS ONLY.

