



## E43 SERIES SOLENOID VALVES

- For Refrigerants 22, 134a, 401A, 402A, 404A, 407C, 407F, 410A, 507
- Large Capacity, Pilot Operated Valve
- Mount Horizontally, on Side, or in a Vertical Line
- MKC-1 Coil, Class F
- E43 Series  



## APPLICATION

Sporlan's **Type E43 Series** are large capacity, pilot operated solenoid valves designed for refrigeration and air conditioning applications. At lowest load, a minimum pressure differential of one psi is required for full operation.

The **Type E43** series may be brazed into line without disassembly as valves contain extended solder type connections. Use caution to place wet rag or chills on extensions at body to prevent excessive overheating.

The **E43 Series** may be mounted horizontally, on their side or in a vertical line. The E43 series is a Class "F" temperature rated coil that is provided as standard, therefore a high temperature coil is **not** required for discharge service.

The E43 series are brass body valves.

## ORDERING INSTRUCTIONS

When ordering complete valves, specify Valve Type, Connections, Voltage and Cycles.

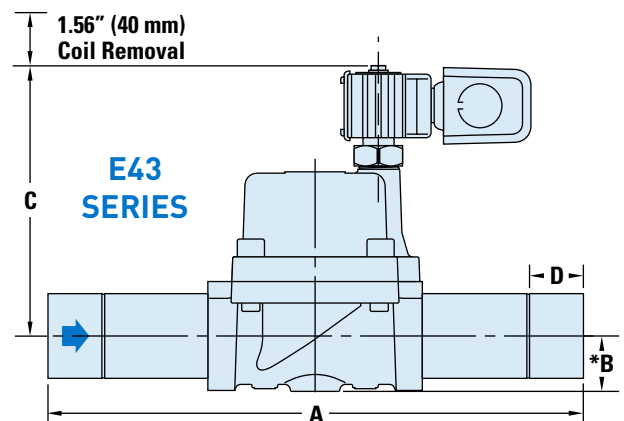
When ordering Body Assembly, specify Valve Type and Connections.

When ordering Coil Assembly ONLY, specify Coil Type, Voltage and Cycles.

**Example: MKC-1 120/50-60; OMKC-1 120/50-60.**

For capacity tables use the E42 capacities in Bulletin 30-10.  
For inrush and holding currents, refer to Bulletin 30-10 (MKC-1 coils).

## DIMENSIONS



### Inches (mm)

VALVE SERIES	TYPE	A	*B	C	D
E43	E43S1130	11.06 (281)	1.14 (29)	5.48 (139)	1.11 (28)
	E43S1170	11.06 (281)	1.14 (29)	5.48 (139)	1.36 (34)
	E43S1130-HP	11.06 (281)	1.14 (29)	5.63 (143)	1.11 (28)
	E43S1170-HP	11.06 (281)	1.14 (29)	5.63 (143)	1.36 (34)
	OE43S1130-HP	11.06 (281)	1.14 (29)	5.94 (151)	1.11 (28)
	OE43S1170-HP	11.06 (281)	1.14 (29)	5.94 (151)	1.36 (34)

\*For Manual Lift Stem add 1.10" (28).  
Manual Lift Stem is not available with Normally Open Valves.



ENGINEERING YOUR SUCCESS.

## SPECIFICATIONS – MKC-1 and OMKC-1 Coil

VALVE SERIES	TYPE	STANDARD CONNECTION Inches	PORT SIZE Inches	MOPD psi (bar)		NOMINAL LIQUID CAPACITIES Tons (kW) of Refrigerant										STANDARD COIL RATINGS				
						REFRIGERANTS														
						22	134a	401A	402A	404A	407C	407F	410A	507						
						Pressure Drop – psi (bar)										VOLTS/CYCLES	WATTS			
AC	DC	3 (0.20)	2 (0.14)	2 (0.14)	3 (0.20)	3 (0.20)	3 (0.20)	3 (0.20)	5 (0.34)	3 (0.20)	AC	DC								
E43	E43S1130	1-5/8 ODF x 1-5/8 ODF	1-5/16	300 (21)	250 (17)	127 (447)	96.9 (340)	104 (365)	83.9 (295)	84.2 (296)	117 (411)	121 (425)	NA	82.4 (290)	24/50-60 120/50-60 208/50-60 208-240/50-60 120-208-240/50-60	10	15			
	ME43S1130																			
	E43S1170	2-1/8 ODF x 2-1/8 ODF																		
	ME43S1170																			
E43-HP	E43S1130-HP	1-5/8 ODF x 1-5/8 ODF	1-5/16	450 (31)	400 (27)	127 (447)	96.9 (340)	104 (365)	83.9 (295)	84.2 (296)	117 (411)	121 (425)	156 (548)	82.4 (290)				24/50-60 120/50-60 208/50-60 208-240/50-60 120-208-240/50-60	10	15
	ME43S1130-HP																			
	OE43S1130-HP																			
	E43S1170-HP	2-1/8 ODF x 2-1/8 ODF																		
	ME43S1170-HP																			
	OE43S1170-HP																			

Maximum rated pressure (MRP) is 500 psig (34 bar) for E43 non R-410A series and 680 psig (47 bar) for E43-HP, R-410A series.

Dual voltage 4-wire coils, 120-208-240/50-60 are available at slight additional cost. For other voltages and cycles, consult Sporlan, Washington, MO 63090.

Coils are available with conduit boss or junction box.

Manual Lift Stem is not available with Normally Open Valves.

**For OE43-HP Series Valves:** When using 208 volts, do not operate 208-240 volt coil at 85% voltage and hot coil. If so, MOPD may be lower than stated in this bulletin. Use OMKC-1 208/50-60 coil.

### ⚠ WARNING – USER RESPONSIBILITY

**Failure or improper selection or improper use of the products described herein or related items can cause death, personal injury and property damage.**

This document and other information from Parker Hannifin Corporation, its subsidiaries and authorized distributors provide product or system options for further investigation by users having technical expertise.

The user, through its own analysis and testing, is solely responsible for making the final selection of the system and components and assuring that all performance, endurance, maintenance, safety and warning requirements of the application are met. The user must analyze all aspects of the application, follow applicable industry standards, and follow the information concerning the product in the current product catalog and in any other materials provided from Parker or its subsidiaries or authorized distributors.

To the extent that Parker or its subsidiaries or authorized distributors provide component or system options based upon data or specifications provided by the user, the user is responsible for determining that such data and specifications are suitable and sufficient for all applications and reasonably foreseeable uses of the components or systems.

For safety information see the Safety Guide at [www.parker.com/safety](http://www.parker.com/safety) or call 1-800-CParker.

### OFFER OF SALE

The items described in this document are hereby offered for sale by Parker Hannifin Corporation, its subsidiaries or its authorized distributors. This offer and its acceptance are governed by the provisions stated in the detailed "Offer of Sale" available at [www.parker.com](http://www.parker.com).

**FOR USE ON AIR CONDITIONING and REFRIGERATION SYSTEMS ONLY.**

