

COIL Nomenclature

Form 30-167
November 2012

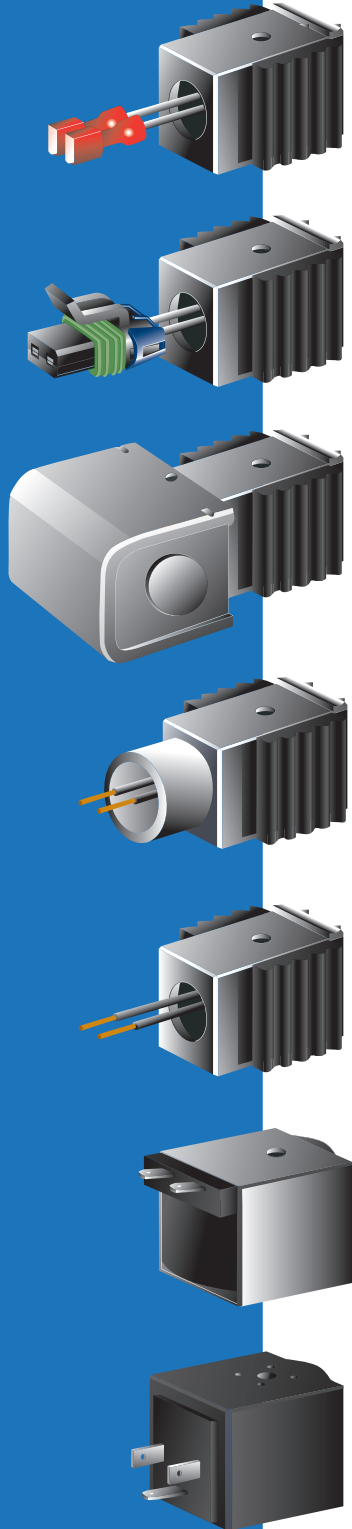


Table I

The low force coils are identified by the coil number as follows:

#1 Size Coils*

MKC-118	24/60
MKC-119	120/60
MKC-121	240/60
MKC-124	240/50
MKC-127	24/50
MKC-129	120/50
MKC-135	415/50

#2 Size Coils*

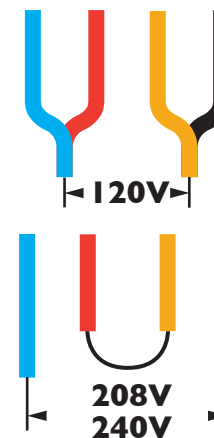
MKC-218	24/60
MKC-219	120/60
MKC-221	240/60
MKC-224	240/50
MKC-227	24/50
MKC-229	120/50
MKC-235	415/50
MKC-260	24/50-60
OMKC-219	120/60
OMKC-221	240/60
OMKC-224	240/50
OMKC-229	120/50

*For low force coils, please consult Sporlan Division for availability.

COIL KIT	24 VOLTS/ 50-60 CYCLES		120 VOLTS/ 50-60 CYCLES		240 VOLTS/ 50-60 CYCLES		TRANSFORMER RATING VOLTS-AMPERES FOR 100% OF RATED MOPD OF VALVE
	CURRENT-AMPERES		CURRENT-AMPERES		CURRENT-AMPERES		
	INRUSH	HOLDING	INRUSH	HOLDING	INRUSH	HOLDING	
MKC-1	1.9	.63	.39	.14	.19	.09	60
MKC-2 OMKC-2	3.1	1.4	.60	.26	.31	.13	100

- All current values are based on 60 cycles.
- Volt-ampere ratings are based on inrush currents.
- Above values are based on the most severe conditions. - Consult Sporlan Division for coil characteristics on specific valve types.

Wiring Schematic — Dual Voltage Coil



Lead Wire Color Code

For ease of identification, coils are manufactured with the following colored lead wires:

24/50-60	Orange
120/50-60	Blue
208/50-60	Yellow
208-240/50-60	Red
Dual Voltage	Black, Blue, Yellow, Red

All other coils are supplied with black lead wires.



Sporlan Division, Parker Hannifin Corporation
206 Lange Drive, Washington, MO 63090 USA
phone 636-239-1111 • fax 636-239-9130
www.sporlan.com

(O) MKC -I ? I20/50-60 J A K 30 Y

Spade and DIN coils will not have these designations after the voltage

- *Connector on end of leadwire
- B** – 1/4" female spade disconnect, barrel insulated, both wires (N/A)
- C** – 1/4" female spade disconnect, fully insulated both wires
- P** – 1/4" female spade disconnect, fully insulated, only on one wire
- Y** – 1/4" fork terminal, barrel insulated
- N** – Packard Connector, metri-pak #15300027
- N2** – Packard Connector, weather-pak #12015792
- N3** – Packard Connector, weather-pak #12010973

- Leadwire length in inches, if different from below
- Junction box – 6 inches unless otherwise specified
- Conduit – 20 inches unless otherwise specified
- Lead only – 20 inches unless otherwise specified
- Note:** Length is measured from the end of the wire to the point where it enters the molded coil

- Leadwire color
- K** – Black; used on all DC coils and odd voltages not listed below
- M** – Blue; used on 120/50-60 coils
- N** – Red; used on 208-240/50-60 coils
- Q** – Orange; used on 24/50-60 coils
- ***L** – White; special used only on one coil, customer request
- U** – Red/Black/Yellow/Blue used on Dual voltage coils (4 wires)

- Leadwire insulation thickness (all but three coils are "A")
- A** – 1/32" thick insulation, 18 AWG, 125°C, 600V
- ***B** – 4/64" thick insulation, also know as "appliance leadwire", 18 AWG, 125°C, 600V

- J** – Junction box
- C** – Conduit Boss, NEMA 4 Watertight
- L** – Leads only, also called "less boss and box"

- Voltage rating:
- Standard – 24/50-60, 120/50-60, 208-240/50-60, Dual (120-208-240/50-60), 12DC, 24DC
- Others – Upon request and review

- Coil termination type:
- Blank – leads
- S or TS** – Top Spade
- E** – DIN

- Coil size: These are shown in the catalog at the specifications section for each valve
- 1** – e.g.: E2, A3, E3, E5, B/E6, E35, W3, W6, R183, R184, R246, SORIT, SORIT-PI, SHGB8, B5D, 8D, 12D, 16D (12/03 and after), OLDR16 etc.
- 2** – e.g.: B/E9, B/E10, B/E14, B/E19, B/E25, B33, E34, E42, 16D (Prior to 12/03), W14, W19, W25, DDR, OLDR15, SHGB15, etc.
- Note:** Three digits in this position indicate special "low-force" coil, e.g. MKC-119 120/60 JAK, see Table 1

Molded Kit Coil

- Blank – Used on normally closed valves
- O** – Used on normally open valves, the valve name will start with O, as in OE25
- Also used on rapid cycle valves

* Min. order qty. is required. Please consult with Sporlan Division for availability. For items with strikethrough, please consult with Sporlan Division.

