



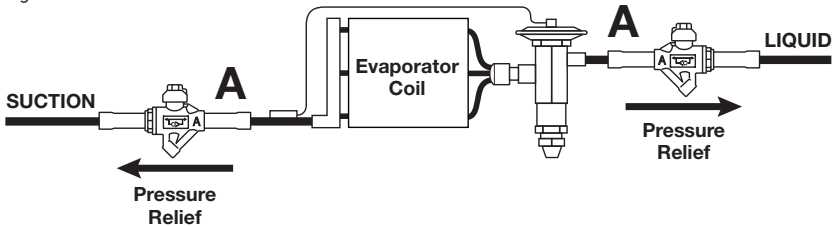
Ball Valve with Integral Pressure Relief EBV(T)-PR Series

INSTALLATION AND SERVICING INSTRUCTIONS
SD-421 / 122016



- Ball valve with an integral pressure relief for refrigeration or air conditioning systems.
- Allows for positive shut off in one direction and flow in the other direction whenever pressure differential is present. (The integrated pressure relief feature is one direction only.)
- Welded body joint. Factory tested to ensure positive, leak-free performance. Forged brass body construction with extended copper fittings and optional access fittings.
- Full size ports for unrestricted flow on most sizes 3/8" (10 mm) through 1-1/8" (28 mm).
- Dual Teflon seals surround the polished, brass ball to prevent leakage. Stem seal and stem washer provide the primary stem seal. Bottom load stem for safety.
- Stainless steel stop plate ensures fully open to fully closed with a 1/4 turn.
- All EBV(T)-PR ball valves may be installed in any position.
- Full refrigeration service temperature range: -40°F to +325°F (-40°C to +149°C).
- Design working pressure: 1,015 psig (70 bar).
- Suitable for use with R-22, R-123, R-125, R-134a, R-236fa, R-402A, R-402B, R-404A, R-407A, R-407C, R-407F, R-410A, R-422D, R-448A, R-449A, R-450A, R-452A, R-507, R-513A and R-744.
- Valve body stamped with date code: YearDay (Julian format)
- Patent Pending

Figure 1



The "A" side of the ball valve should always be on the same side as the coil.

The EBV(T)-PR valve will close in one direction and relieve pressure in the other direction. This single valve would replace a current ball valve plus a check valve plumbed around the ball valve.

Allows evaporator coil to be isolated without over pressurizing due to warm up. May also have needs in loop piping and at the rack.

The symbol 'A' indicates the pressure relief side of the valve. Any pressure build up on the 'A' side with the ball valve in the closed position can relieve to the other side of the ball valve. When used on an evaporator coil, the 'A' side of the valve should always be on the coil side of the valve. (Refer to Figure 1.)



This symbol indicates the direction of pressure relief and direction of check valve feature. Flow from left to right is check direction. Flow from right to left is pressure relief direction.

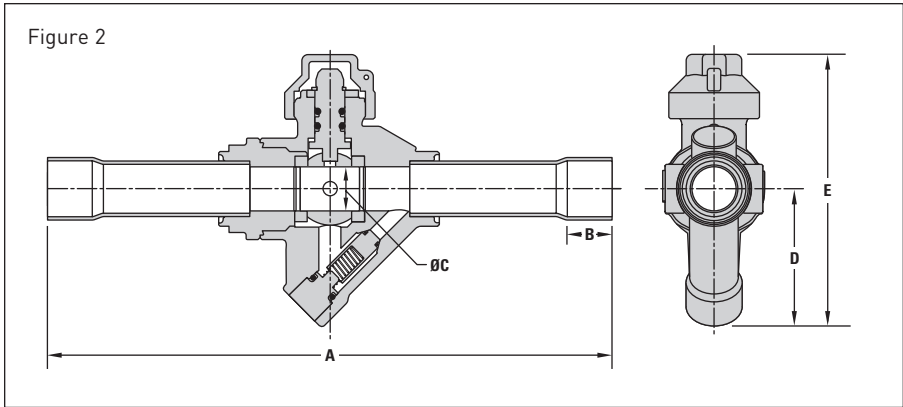
IMPORTANT: This valve has a pressure relief feature in one direction only. If installed incorrectly, pressures may drastically increase causing rupture of valve, piping and/or other components exposed to such pressure. This could cause damage to equipment and cause injury or possible death to anyone in the area.

DIMENSIONS

EBV(T)-PR SERIES - Inches

| Part Number | Valve Type | Connection (ODF) | Overall Length A | Socket Depth B | Port Size C | D | Overall Height E | Cv |
|-------------|--------------|------------------|------------------|----------------|-------------|------|------------------|------|
| 502199 | EBV-PR1030 | 3/8 | 6.50 | 0.31 | 0.50 | 1.56 | 3.08 | 4.3 |
| 502200 | EBV-PR1040 | 1/2 | 6.50 | 0.38 | 0.50 | 1.56 | 3.08 | 7.0 |
| 502201 | EBV-PR1050 | 5/8 | 6.50 | 0.50 | 0.50 | 1.56 | 3.08 | 13.9 |
| 502202 | EBV-PR1060 | 3/4 | 7.25 | 0.62 | 0.75 | 1.79 | 3.59 | 21.0 |
| 502203 | EBV-PR1070 | 7/8 | 7.25 | 0.75 | 0.75 | 1.79 | 3.59 | 30.3 |
| 502204 | EBV-PR1090 | 1-1/8 | 8.50 | 0.91 | 1.00 | 2.13 | 4.11 | 61.3 |
| 502205 | EBVT-PR1030* | 3/8 | 6.50 | 0.31 | 0.50 | 1.56 | 3.08 | 4.3 |
| 502206 | EBVT-PR1040* | 1/2 | 6.50 | 0.38 | 0.50 | 1.56 | 3.08 | 7.0 |
| 502207 | EBVT-PR1050* | 5/8 | 6.50 | 0.50 | 0.50 | 1.56 | 3.08 | 13.9 |
| 502208 | EBVT-PR1060* | 3/4 | 7.25 | 0.62 | 0.75 | 1.79 | 3.59 | 21.0 |
| 502209 | EBVT-PR1070* | 7/8 | 7.25 | 0.75 | 0.75 | 1.79 | 3.59 | 30.3 |
| 502210 | EBVT-PR1090* | 1-1/8 | 8.50 | 0.91 | 1.00 | 2.13 | 4.11 | 61.3 |

* With access fitting.



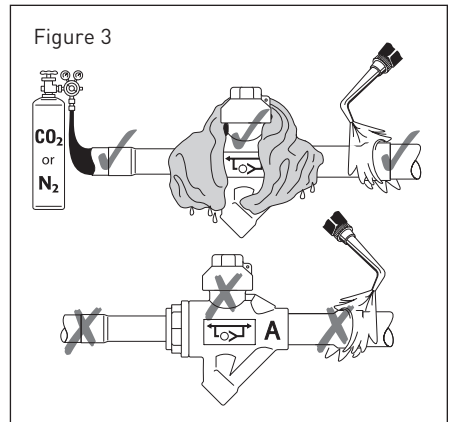
NOMENCLATURE - Inches

Example - EBVT-PR1030

| EBV | T | - | PR | 1 | 03 | 0 |
|------------|----------------|---|-----------------|-----------------------------------------------------|------------------------------------------------------------------|------------------------------------------------|
| Valve Type | Access Fitting | | Pressure Relief | Series: 1 = Full Port 2 = Reduced Port | Fitting Size: (In eighths of an inch) ie: 03 = 3/8" | Fitting Configuration: 0 = ODF x ODF |

BRAZING INSTRUCTIONS

- DO NOT DISASSEMBLE.**
- WRAP THE BODY OF THE VALVE WITH A WET RAG** (to dissipate heat-overheating causes damage).
- Bleed dry nitrogen or CO₂ through the valve while brazing.
- Use flux with silver brazing alloys.
- Flux not required with phosphor alloys, on copper to copper joints, but flux is recommended for deeper penetration and more uniform results with all alloys.
- Use large enough torch to rapidly heat joint to brazing temperature. Direct flame away from existing copper to brass joints.
- Quench to reduce heat spread after brazing.

**OPERATION NOTES**

- Remove seal cap. **CAUTION:** Pressure may be under seal cap, remove slowly.
- Rotate stem using adjustable wrench. Turn 90° against the mechanical stops. Align open arrow with refrigerant line for non-directional flow. Turn clock-wise to close; counter-clockwise to open.
- This valve contains mechanical stops. **DO NOT USE EXCESSIVE FORCE AGAINST STOPS OR PERMANENT DAMAGE MAY OCCUR.**
- Install seal cap.
- Valves are designed for use with R-22, R-123, R-125, R-134a, R-236fa, R-402A, R-402B, R-404A, R-407A, R-407C, R-407F, R-410A, R-422D, R-448A, R-449A, R-450A, R-452A, R-507, R-513A and R-744.

NOTICE: DO NOT DISASSEMBLE VALVE FOR ANY REASON.

For use with CFC, HFC, and HCFC refrigerants listed in CAN/CSA B52 and ANSI/ASHRAE 15 Sec. 9.2 where the saturation vapor pressure at 125°F (52°C) (high side) and 80°F (27°C) (low side) is less than the maximum design working pressure. After charging, mark unit with refrigerant type and oil type.

NOTE: WARRANTY IS VOID IF THESE INSTRUCTIONS ARE NOT FOLLOWED.

⚠ WARNING – USER RESPONSIBILITY

Failure or improper selection or improper use of the products described herein or related items can cause death, personal injury and property damage.

This document and other information from Parker Hannifin Corporation, its subsidiaries and authorized distributors provide product or system options for further investigation by users having technical expertise.

The user, through its own analysis and testing, is solely responsible for making the final selection of the system and components and assuring that all performance, endurance, maintenance, safety and warning requirements of the application are met. The user must analyze all aspects of the application, follow applicable industry standards, and follow the information concerning the product in the current product catalog and in any other materials provided from Parker or its subsidiaries or authorized distributors.

To the extent that Parker or its subsidiaries or authorized distributors provide component or system options based upon data or specifications provided by the user, the user is responsible for determining that such data and specifications are suitable and sufficient for all applications and reasonably foreseeable uses of the components or systems.

