

### OPTION #1

NETWORK CONNECT

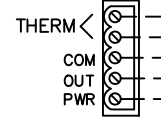
CONNECT BY SNVT BINDING TO STORE TEMPERATURE/HUMIDITY SENSOR (ANALOG).

### OPTION #2

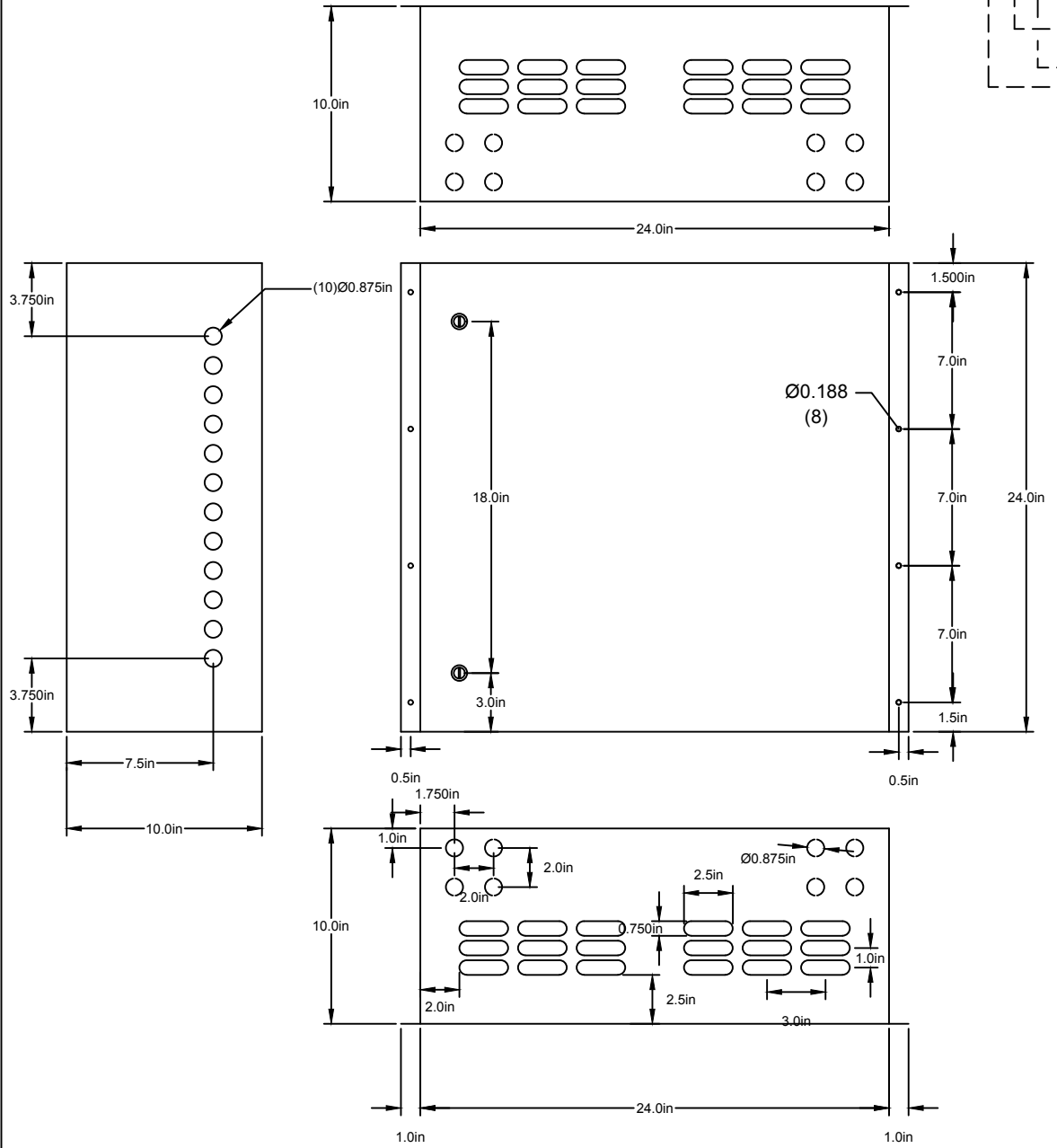
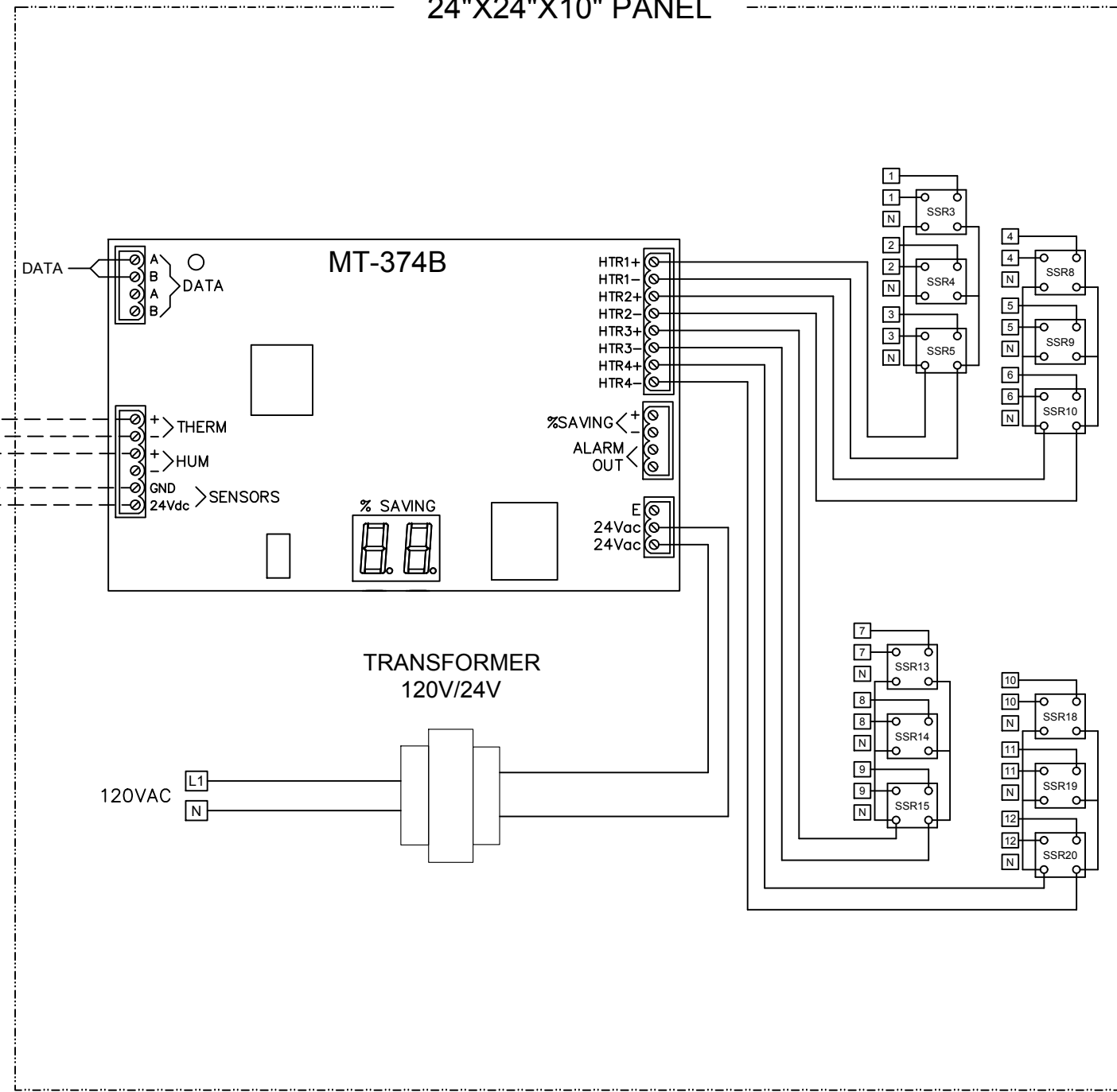
PHYSICAL CONNECT

RELATIVE HUMIDITY SENSOR TO BE INSTALLED CLOSE TO REFRIGERATED CASES OR DOORS,

USE MICRO THERMO SENSOR P/N #23-0026 ONLY  
10K TYPE 2 + HUMIDITY REL.



### 24"X24"X10" PANEL



DATE	DESCRIPTION	REV.
--	----	07
--	----	06
--	----	05
--	----	04
--	----	03
2015-10-22	Révisé le numéro de pièce 3744 pour 374B	02
2007-02-12	Modifier grandeur panneau	01

SYSTEM :  
**ANTI-SWEAT**

AUTOMATISATION / CONTROL :



Micro Thermo Technologies™  
12855 Rue Brault, Mirabel  
Quebec, Canada J7J 0C4  
Tel: (450) 668-3033  
Fax: (450)668-2695

TITLE:  
**ANTI-SWEAT 12 RELAYS 20A  
24" X 24" X 10"**

PART#:  
**961-0101**

Drawn By : D.P.	Designed By : L.M.	Approved By : A.H.	Revision : 02
Scale : N.T.S	Date : 2007-02-12	File Name : Anti-sweat 12 relays 20A	