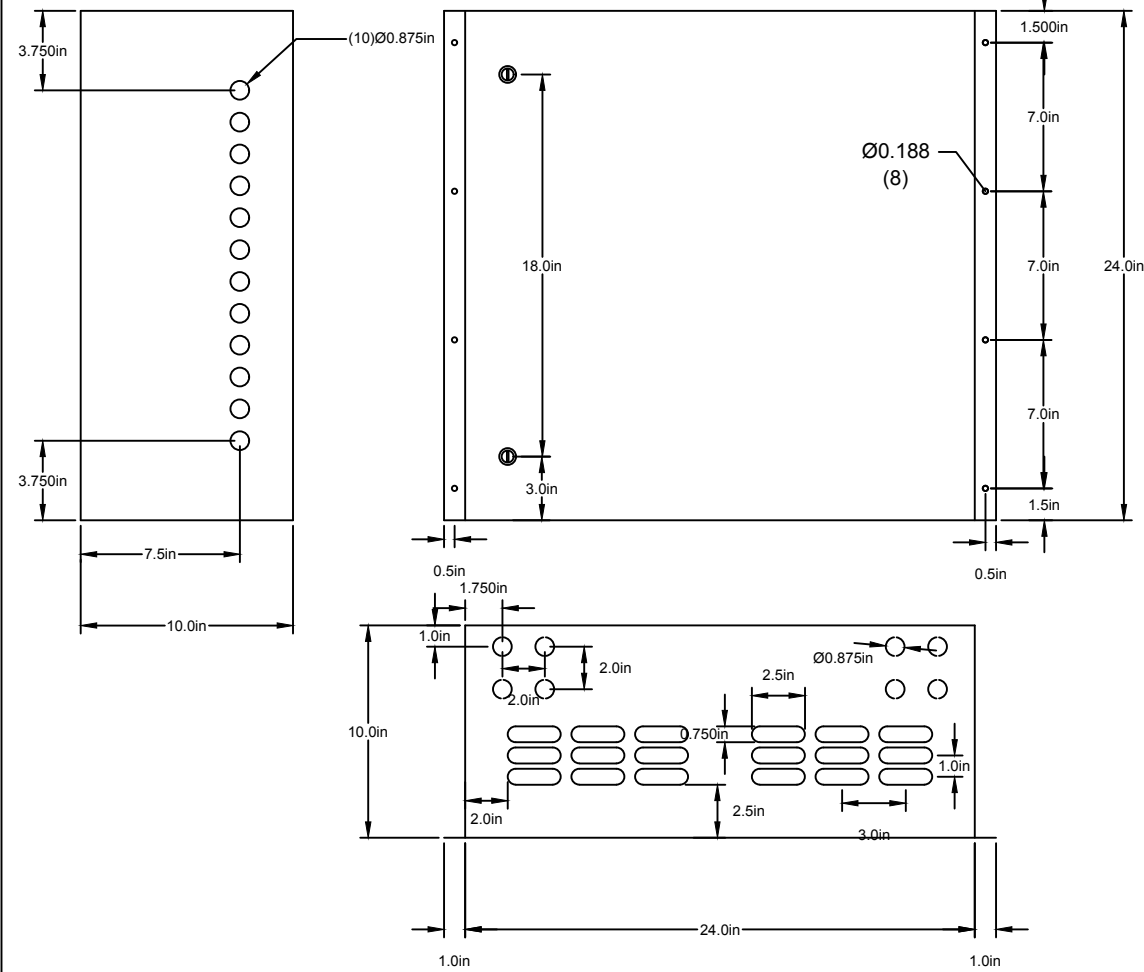
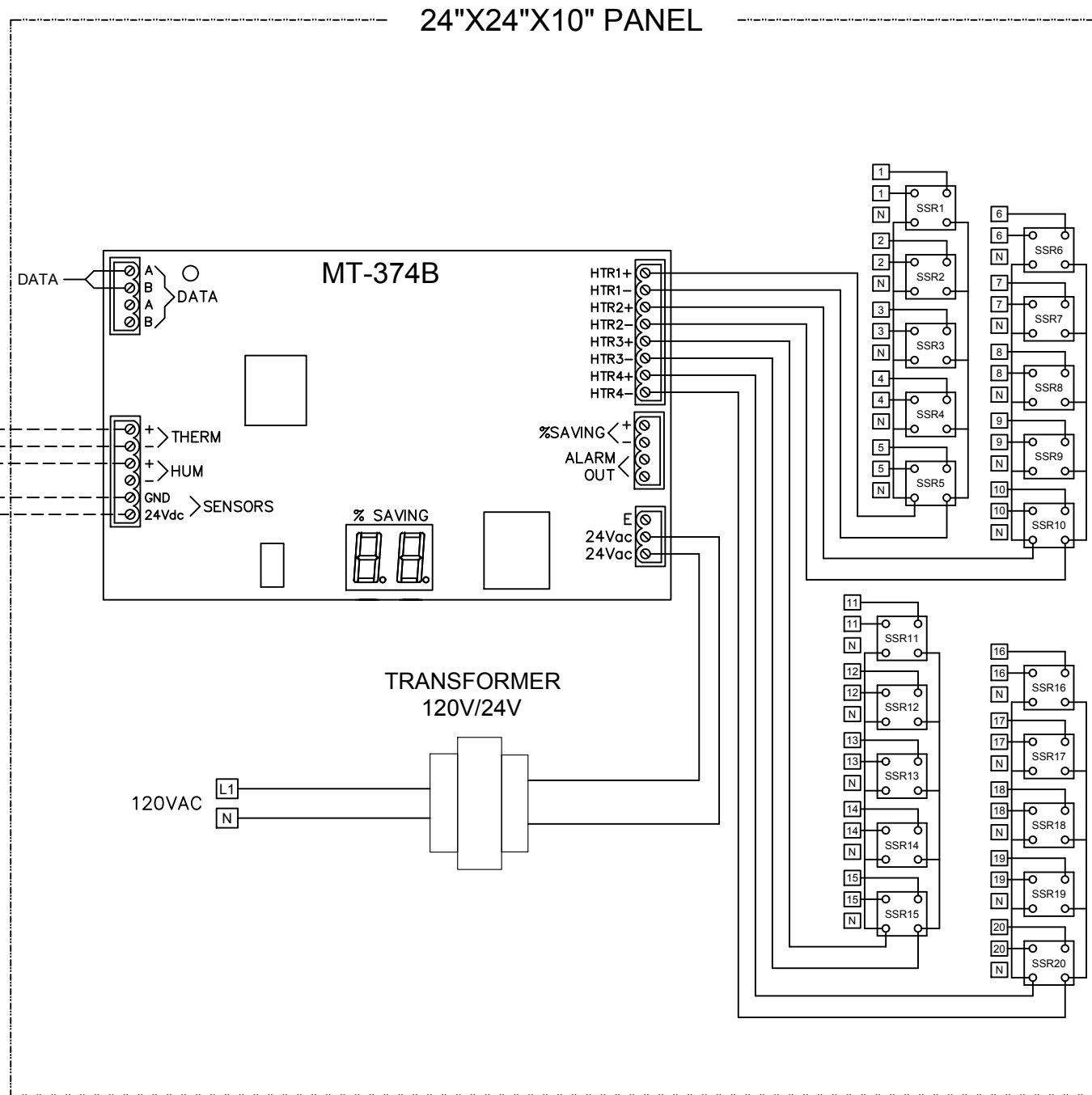
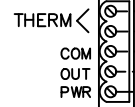


**OPTION #1**  
NETWORK CONNECT

CONNECT BY SNVT BINDING TO STORE TEMPERATURE/HUMIDITY SENSOR (ANALOG).

**OPTION #2**  
PHYSICAL CONNECT

RELATIVE HUMIDITY SENSOR TO BE INSTALLED CLOSE TO REFRIGERATED CASES OR DOORS,  
USE MICRO THERMO SENSOR P/N #23-0026 ONLY  
10K TYPE 2 + HUMIDITY REL.



| DATE       | DESCRIPTION                              | REV. |
|------------|--|------|
| --         | ----                                     | 07   |
| --         | ----                                     | 06   |
| --         | ----                                     | 05   |
| --         | ----                                     | 04   |
| --         | ----                                     | 03   |
| 2015-10-22 | Révisé le numéro de pièce 3744 pour 374B | 02   |
| 2007-02-12 | Modifier grandeur panneau                | 01   |

SYSTEM :  
**ANTI-SWEAT**

AUTOMATISATION / CONTROL :



Micro Thermo Technologies™  
12855 Rue Brault, Mirabel  
Quebec, Canada J7J 0C4  
Tel: (450) 668-3033  
Fax: (450)668-2695

TITLE:  
**ANTI-SWEAT 20 RELAYS 20A**  
**24" X 24" X 10"**

PART#:  
**961-0102**

|                    |                       |   |                  |
|--------------------|-----------------------|---|------------------|
| Drawn By :<br>D.P. | Designed By :<br>L.M. | Approved By :<br>A.H.                   | Revision :<br>02 |
| Scale :<br>N.T.S   | Date :<br>2007-02-12  | File Name :<br>Anti-sweat 20 relays 20A |                  |