

### OPTION #1

NETWORK CONNECT

CONNECT BY SNVT BINDING FROM STORE TEMPERATURE/HUMIDITY SENSOR (ANALOG).

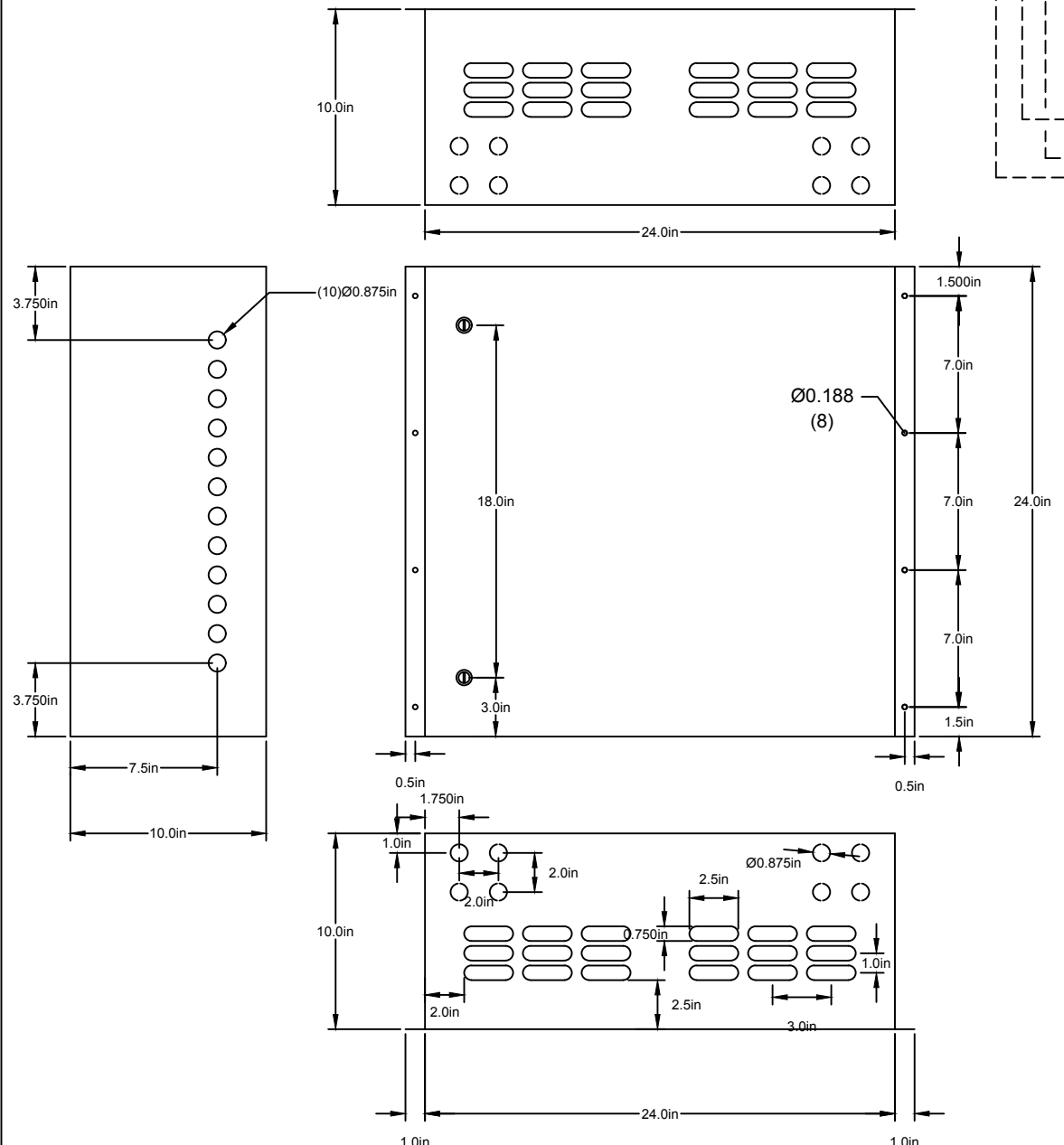
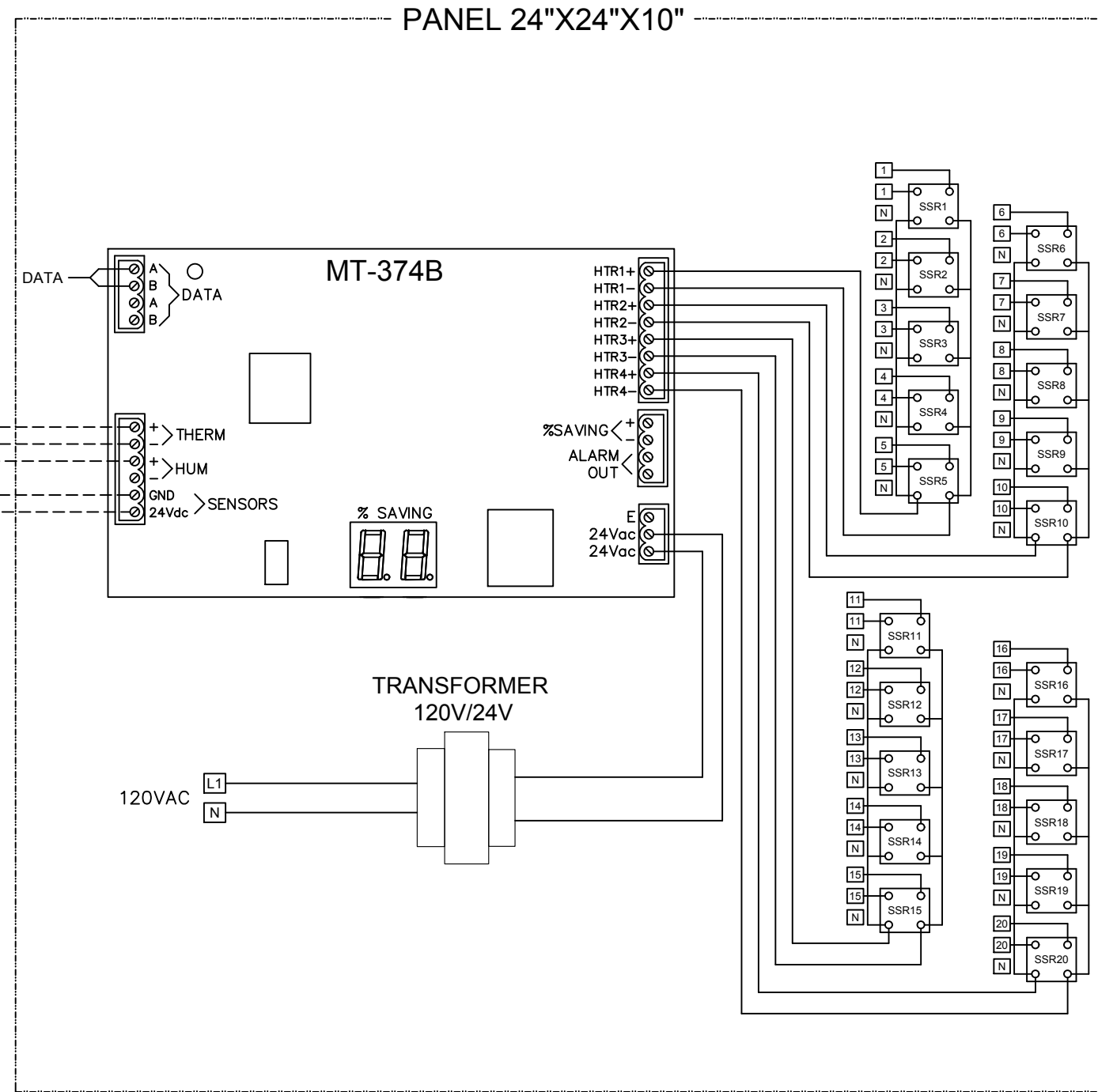
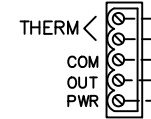
MICRO THERMO  
P/N 23-0043

### OPTION #2

PHYSICAL CONNECT

RELATIVE HUMIDITY SENSOR TO BE INSTALLED CLOSE TO REFRIGERATED CASES OR DOORS.

USE MICRO THERMO SENSOR  
P/N #23-0026 ONLY.  
10K TYPE 2 + HUMIDITY REL.



DATE	DESCRIPTION	REV.
--	----	07
--	----	06
--	----	05
--	----	04
--	----	03
2015-10-22	Révisé le numéro de pièce 3744 pour 374B	02
2007-02-12	Modifier grandeur panneau	01

SYSTEM :  
**ANTI-SWEAT**

AUTOMATISATION / CONTROL :

Micro Thermo Technologies™  
12855 Rue Brault, Mirabel  
Quebec, Canada J7J 0C4  
Tel: (450) 668-3033  
Fax: (450)668-2695

TITLE:  
**ANTI-SWEAT 20 RELAYS 30A  
24" X 24" X 10"**

PART#:  
**961-0105**

Drawn By :	Designed By :	Approved By :	Revision :
D.P.	L.M.	A.H.	02
Scale :	Date :	File Name :	
N.T.S	2007-02-12	Anti-sweat 20 relays 30A	