

OPTION #2
NETWORK CONNECT

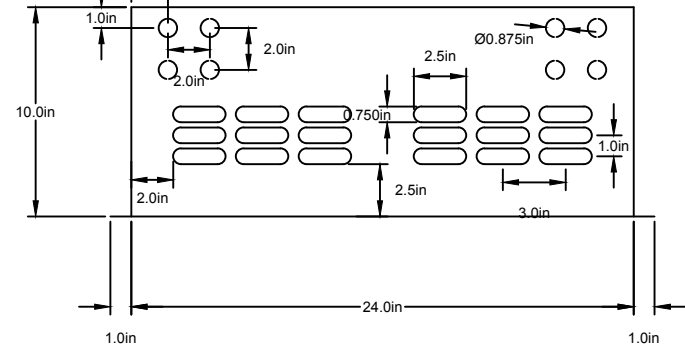
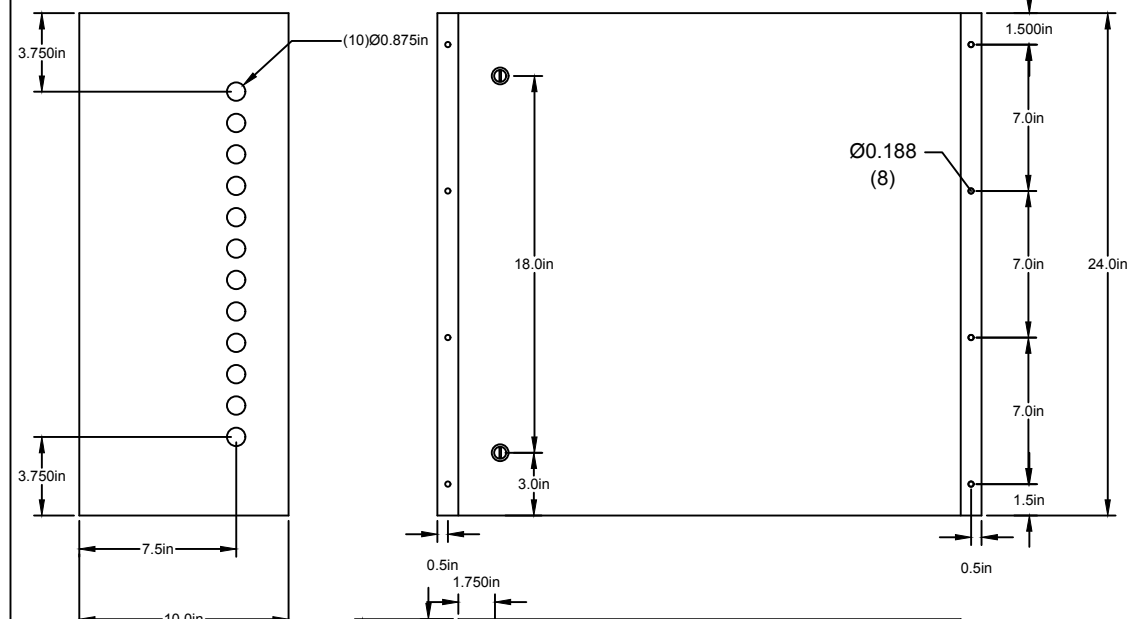
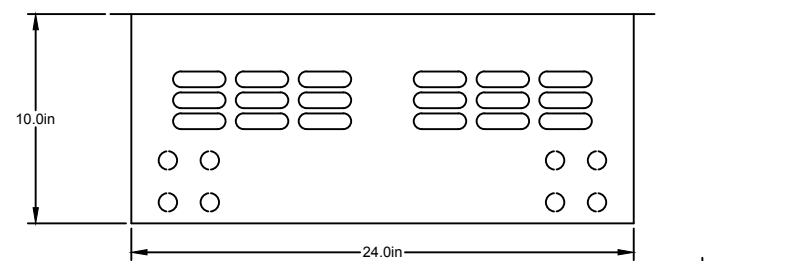
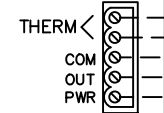
CONNECT BY SNVT BINDING FROM STORE TEMPERATURE/HUMIDITY SENSOR (ANALOG).

MICRO THERMO
P/N 23-0043

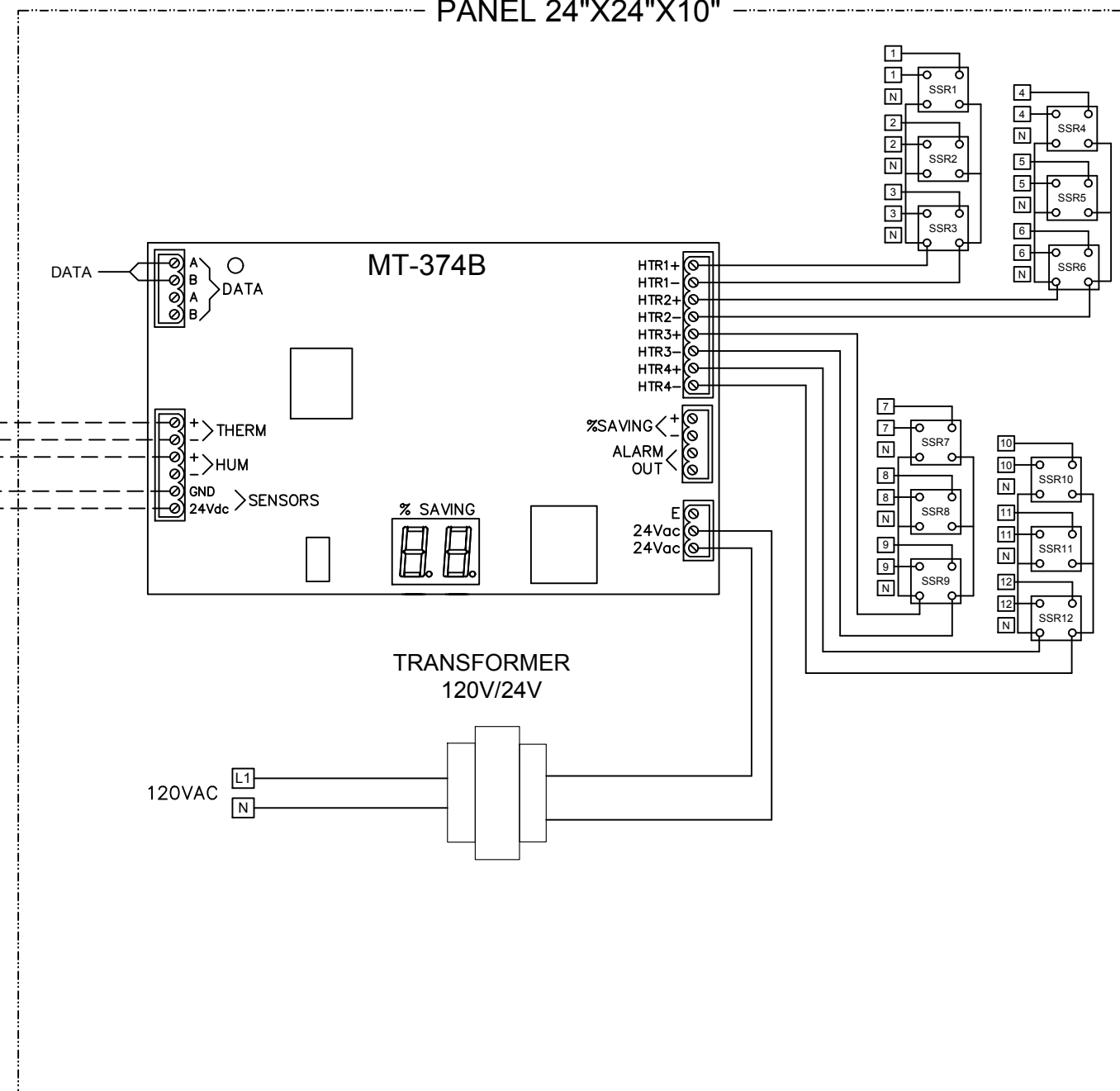
OPTION #1
PHYSICAL CONNECT

RELATIVE HUMIDITY SENSOR TO BE INSTALLED CLOSE TO REFRIGERATED CASES OR DOORS.

USE MICRO THERMO SENSOR P/N #23-0026 ONLY.



PANEL 24"X24"X10"



---	---	07
---	---	06
---	---	05
---	---	04
---	---	03
2015-10-22	Révisé le numéro de pièce 3744 pour 374B	02
2007-02-12	Modifier grandeur panneau	01
DATE	DESCRIPTION	REV.

SYSTEM :
ANTI-SWEAT

AUTOMATISATION / CONTROL :

Micro Thermo Technologies™
12855 Rue Brault, Mirabel
Quebec, Canada J7J 0C4
Tel: (450) 668-3033
Fax: (450)668-2695

TITLE:
**ANTI-SWEAT 12 RELAYS 40A
24" X 24" X 10"**

PART#:
961-0107

Drawn By : D.P.	Designed By : L.M.	Approved By : A.H.	Revision : 02
Scale : N.T.S	Date : 2007-02-12	File Name : Anti-sweat 12 relays 40A	