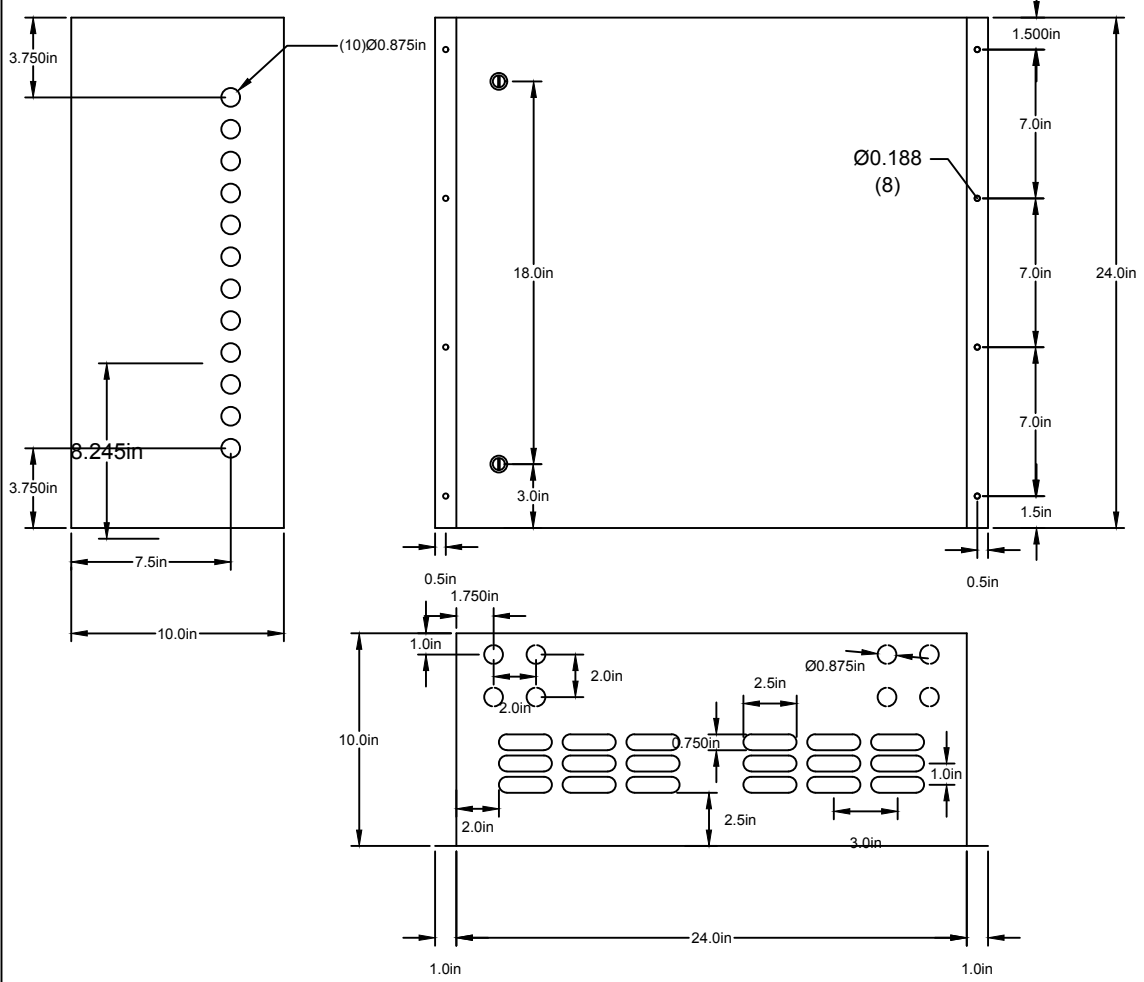
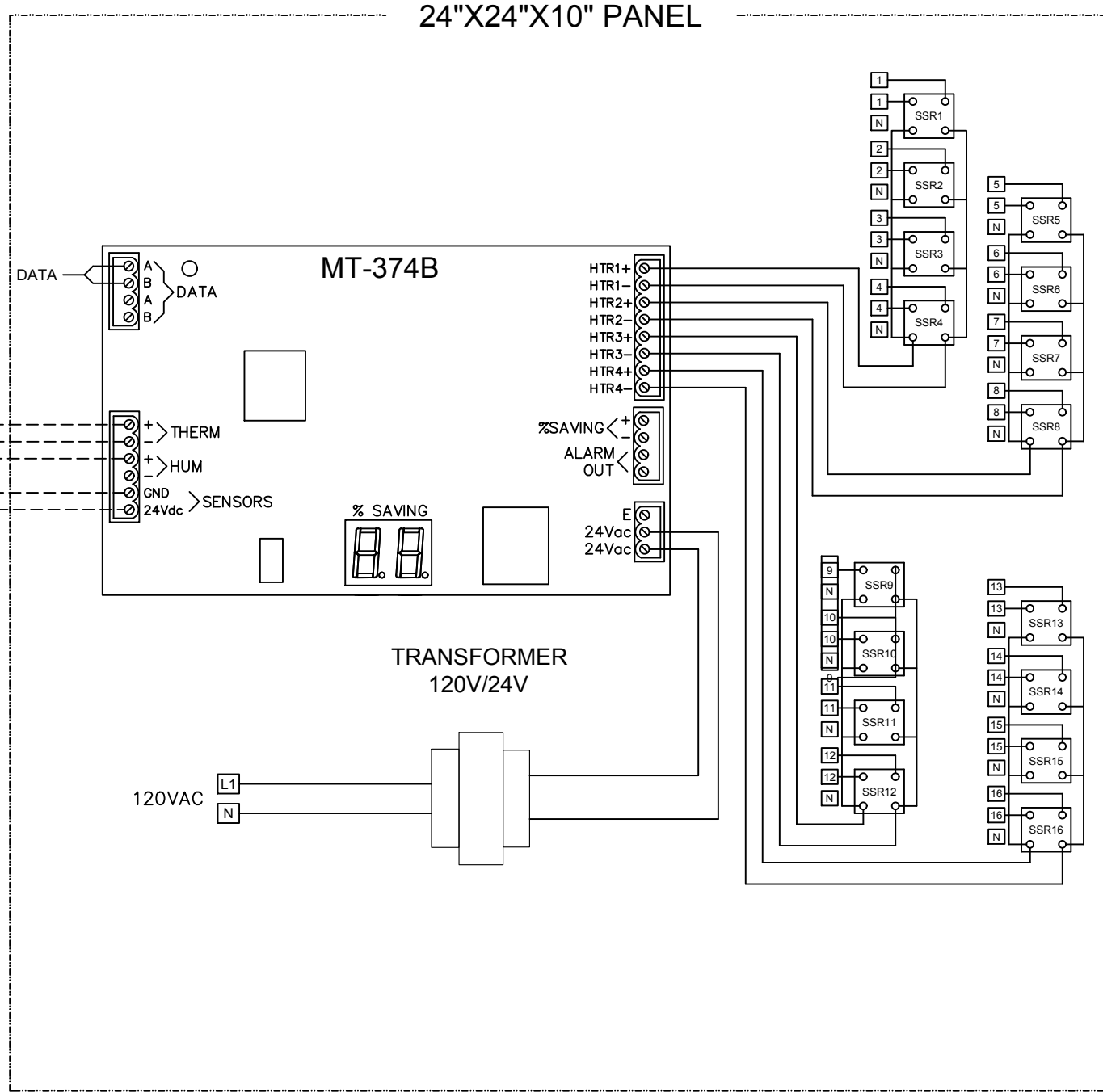
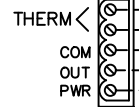


OPTION #1
NETWORK CONNECT

CONNECT BY SNVT BINDING TO STORE TEMPERATURE/HUMIDITY SENSOR (ANALOG).

OPTION #2
PHYSICAL CONNECT

RELATIVE HUMIDITY SENSOR TO BE INSTALLED CLOSE TO REFRIGERATED CASES OR DOORS,
USE MICRO THERMO SENSOR P/N #23-0026 ONLY
10K TYPE 2 + HUMIDITY REL.



DATE	DESCRIPTION	REV.
--	----	07
--	----	06
--	----	05
--	----	04
2015-10-22	Révisé le numéro de pièce 3744 pour 374B	03
2008-03-31	Correction et identification pièces R.L.	02
2007-02-12	Modifier grandeur panneau	01

SYSTEM :
ANTI-SWEAT

AUTOMATISATION / CONTROL :

Micro Thermo Technologies™
12855 Rue Brault, Mirabel
Quebec, Canada J7J 0C4
Tel: (450) 668-3033
Fax: (450)668-2695

TITLE:
ANTI-SWEAT 16 RELAYS 20A
24" X 24" X 10"

PART#:
961-0108

Drawn By : D.P.	Designed By : L.M.	Approved By : A.H.	Revision : 03
Scale : N.T.S	Date : 2007-09-04	File Name : Anti-sweat 16 relays 20A	