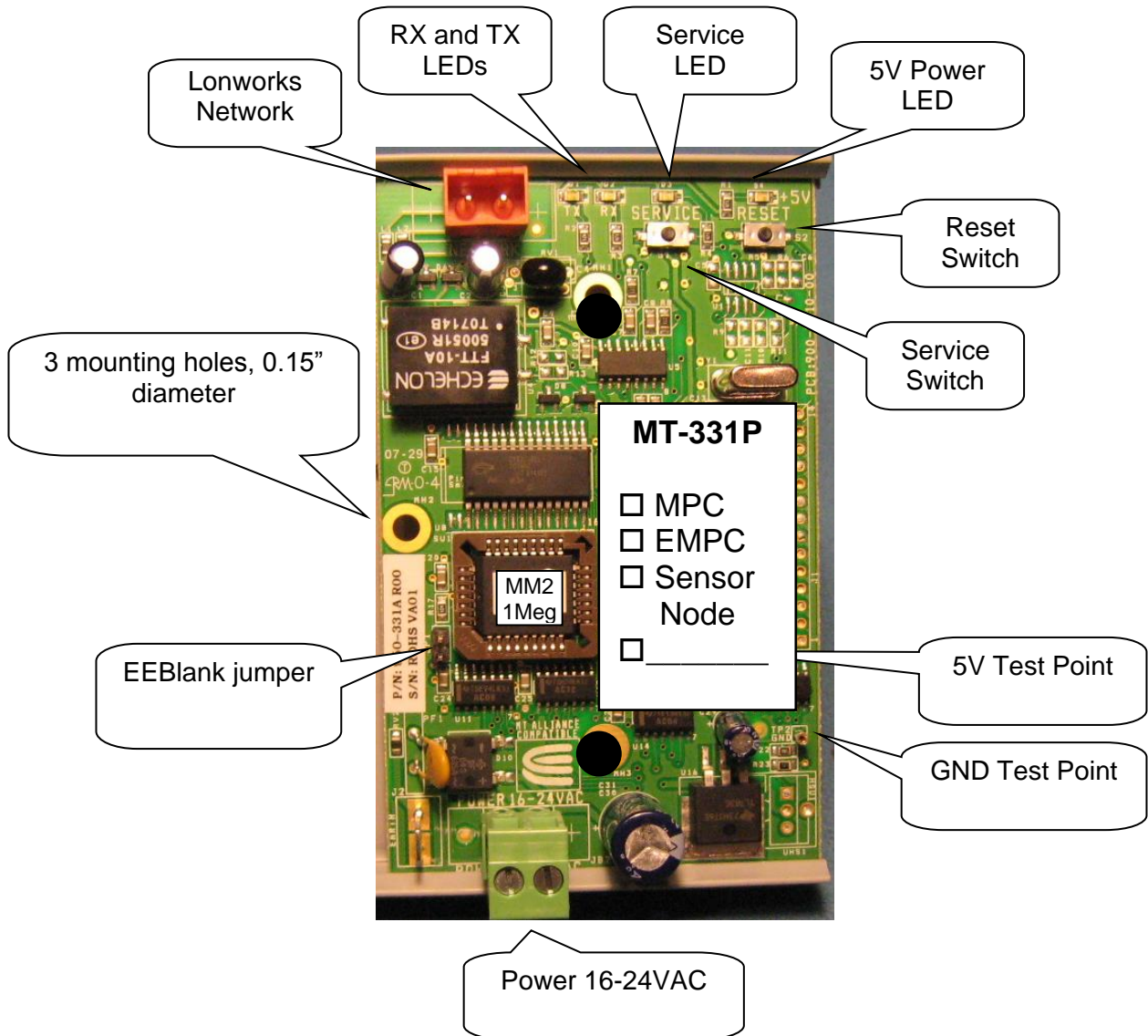


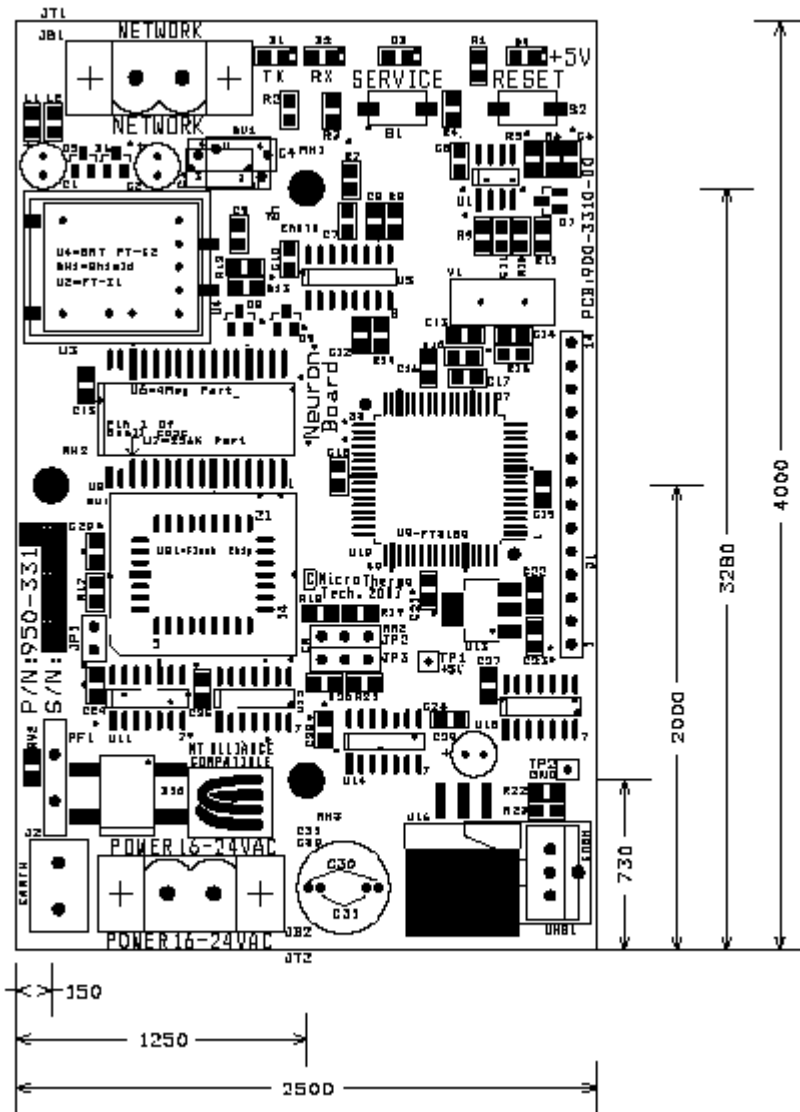
MT-331P Neuron Board Virtual MT5XX Specification Press Released

This version of Neuron Board is configured to run applications that would run on an MT5XX board. It may be used as a sensor node without physical sensor, MPC, lighting and HVAC nodes that don't need any physical IO in any MTAlliance version.



Ordering information

- 950-331P Virtual MT5XX node (MM2)
- 962-331P Virtual MT5XX node (MM2) on snaptrack



Mounting hole positions

Power Requirements: 16 to 24VAC $\pm 10\%$
 Current: 120mA @ 24VAC (3VA) or 120mA @ 16VAC (2VA)
 Operating temperature: 0-70°C
 RoHS compliant

Application examples:

- Third party Sensor node like for Bacharach leak detector
- Multi Purpose controller (MPC)
- EMPC
- Calculation Blocks
- Or other MM2 applications...