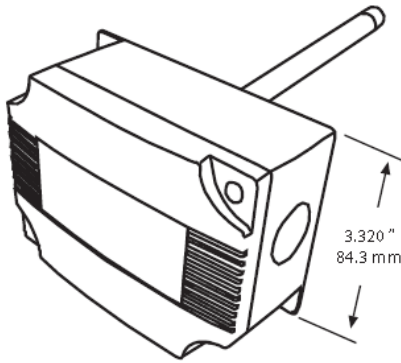


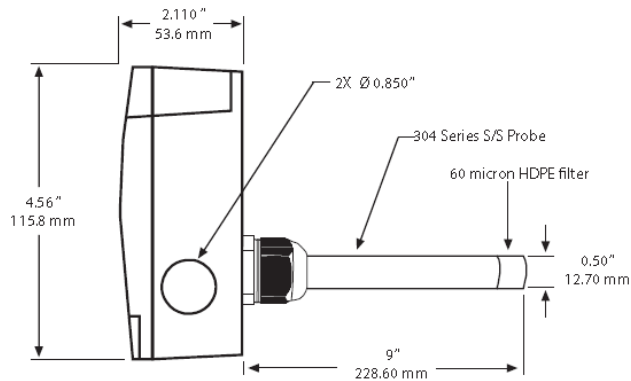
023-0141 Duct Relative humidity transmitter sensor

Specifications



ABS Enclosure

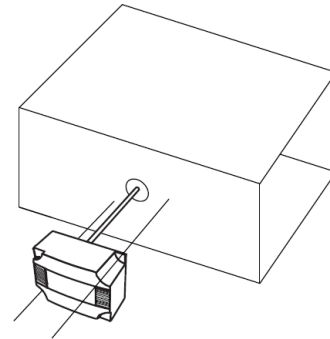
Humidity Sensor	
Accuracy	±2% RH
Power Supply	15-24VAC or DC
Output	0-5V, 0-10V, 4-20 mA jumper selectable
Operating Temperature	-40 to 80°C (-40 to 176°F)
RH Range	0 to 100% RH
Wiring Connections	Screw Terminal Block (14 to 22 AWG)



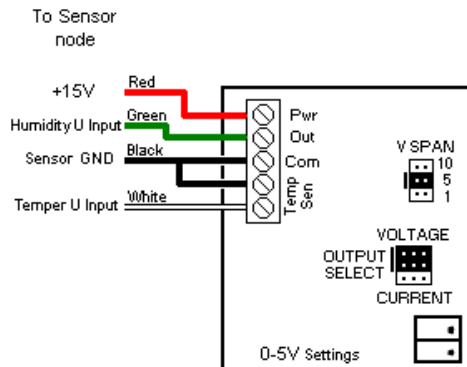
Installation

The duct type probes are installed through a hole in the side of the duct to monitor a single point humidity within the duct. Install the probe in a straight section of duct at a suitable distance downstream from any heating, cooling or humidification devices.

Each enclosure style provides mounting tabs on the outside of the enclosure for ease of installation and service.



Connections



Three 18 to 22 AWG wires are required for voltage and AC operation while only two wires are required for DC 4-20mA loop-powered operation. A 255 ohms resistor is required for 4-20mA operation but 0-5V voltage signal is recommended for sensor node. Remove power to the transmitter before changing between voltage and current output operation. Temperature terminals are provided on temperature sensor equipped model.