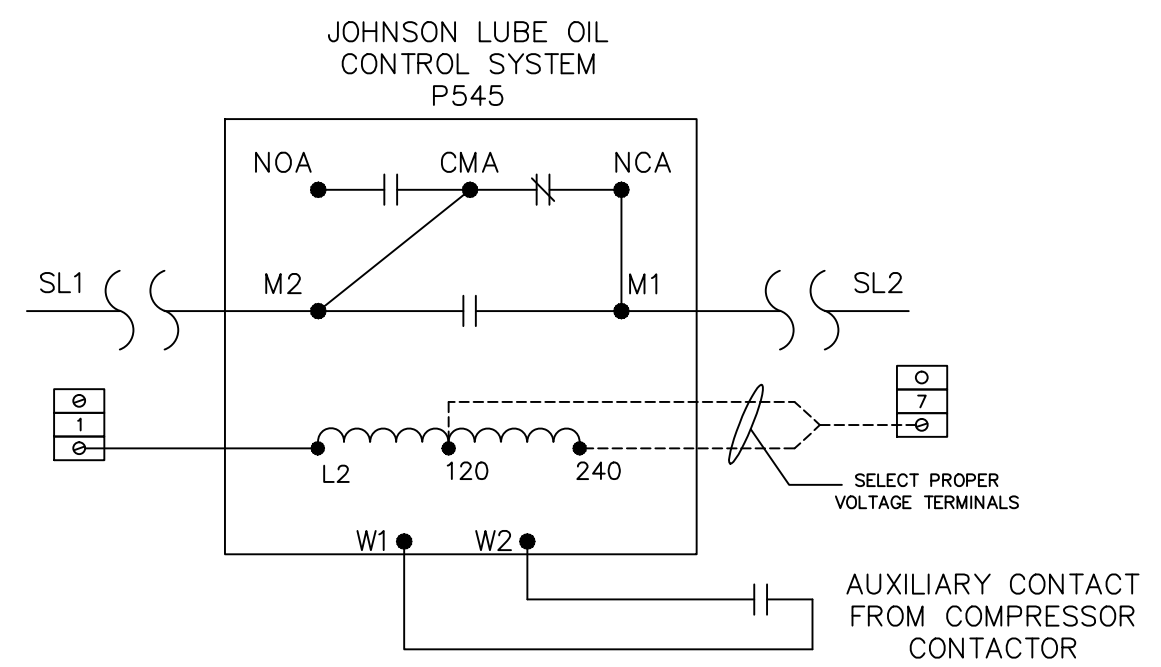
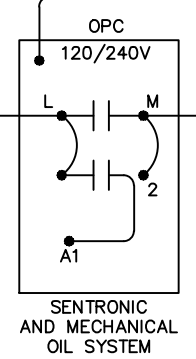


LEGEND :
 C : CONTACTOR
 CP : COMPRESSOR PROOFING
 CSR : CURRENT SENSING RELAY
 DCC : DEMAND COOLING
 DCV : DEMAND COOLING VALVE
 OPC : OIL PRESSURE CONTROL
 LPC : LOW PRESSURE CONTROL
 HPC : HIGH PRESSURE CONTROL
 TDR : TIME DELAY RELAY
 SW : SWITCH



DATE	DESCRIPTION	REV.
--	-----	07
--	-----	06
2014-11-04	Update Logo & Adress	05
2012-05-16	Modification on DATA Description	04
2009-12-11	Wirring change for Unloader (P.M.)	03
2007-01-24	J.C. Lube oil control system	02
2006-09-29	J.C. Lube oil control system	01

SYSTEM :
REFRIGERATION

AUTOMATISATION / CONTROL :

12855 Rue Brault, Mirabel
 Quebec, Canada, J7J 0C4
 Tel: (450) 668-3033
 Fax: (450) 668-2695

TITLE:
**COMPRESSOR CONTROLLER
 120/208 Vac c/w HIGH
 PRESSURE CONTROL, &
 OIL PRESSURE CONTROL**

PART# :
9XX-632F

Drawn By : G.Q.	Designed By : L.M.	Approved By : A.H.	Revision : 05
Scale : N.T.S	Date : 2004-08-23	File Name : A-104 COMP CTRL DIAG #2	