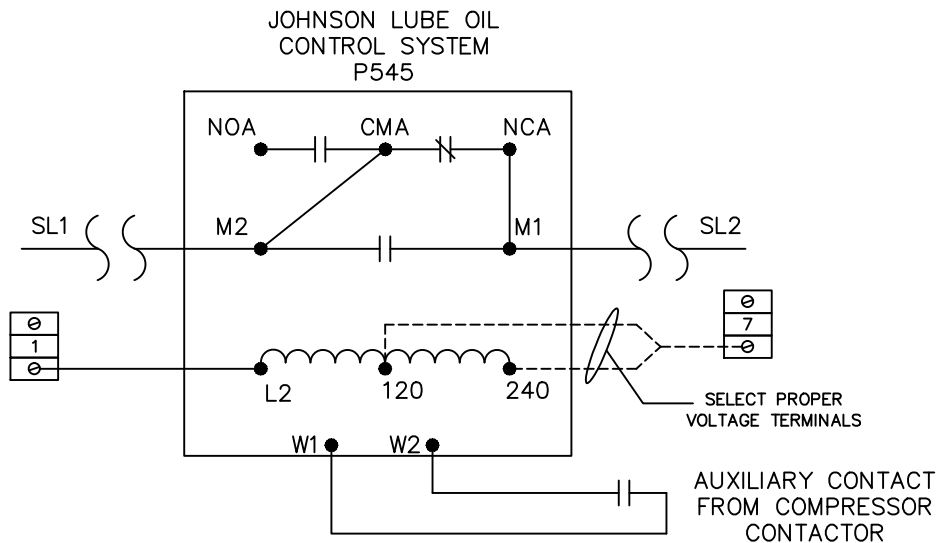


- LEGEND :**
- C : CONTACTOR
 - CP : COMPRESSOR PROOFING
 - CSR : CURRENT SENSING RELAY
 - DCC : DEMAND COOLING
 - DCV : DEMAND COOLING VALVE
 - OPC : OIL PRESSURE CONTROL
 - LPC : LOW PRESSURE CONTROL
 - HPC : HIGH PRESSURE CONTROL
 - TDR : TIME DELAY RELAY
 - SW : SWITCH



| -- | ---- | 07 |
|------------|------------------------------------|------|
| -- | ---- | 06 |
| 2014-11-04 | Update Logo & Adress | 05 |
| 2012-05-16 | Modification on DATA Description | 04 |
| 2009-12-11 | Wirring change for Unloader (P.M.) | 03 |
| 2007-01-24 | J.C. Lube oil control system | 02 |
| 2006-09-29 | J.C. Lube oil control system | 01 |
| DATE | DESCRIPTION | REV. |

SYSTEM :
REFRIGERATION

AUTOMATISATION / CONTROL :

Micro Thermo Technologies™

12855 Rue Brault, Mirabel
Quebec, Canada, J7J 0C4
Tel: (450) 668-3033
Fax: (450) 668-2695

TITLE:
COMPRESSOR CONTROLLER
120/208 Vac c/w HIGH PRESSURE,
SOLID STATE MODULE, DEMAND
COOLING & OIL PRESSURE CONTROL
WITH (MT-UNLOADER)

PART# :
961-631F

| | | | |
|------------|---------------|-------------------------|------------|
| Drawn By : | Designed By : | Approved By : | Revision : |
| G.Q. | L.M. | A.H. | 05 |
| Scale : | Date : | File Name : | |
| N.T.S | 2004-08-23 | A-107 COMP CTRL DIAG #5 | |