

# Secondary Fluid Valve and Case Control

## For Secondary Fluid Refrigeration



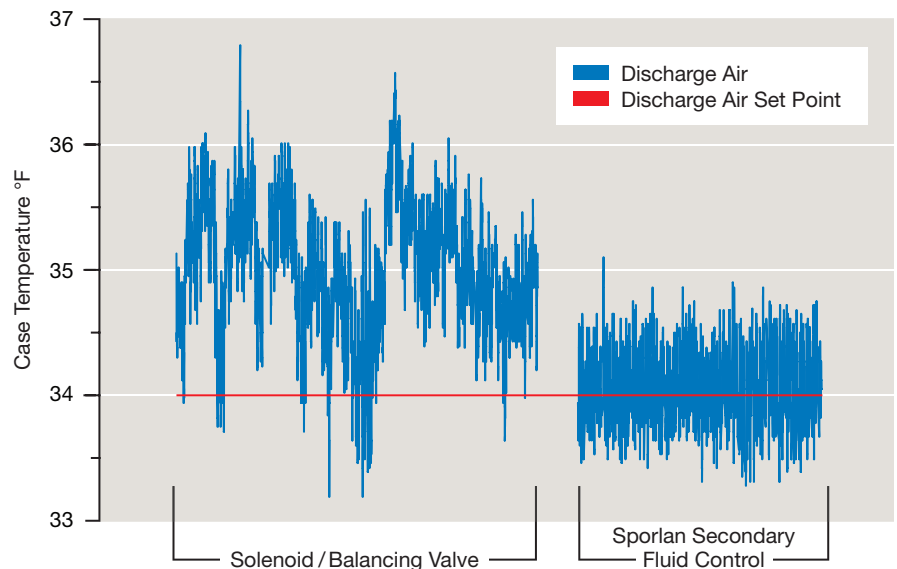
Eliminate the hurdles to broader implementation of secondary glycol refrigeration systems with the Sporlan Secondary Fluid Control and Micro Thermo Technologies™ Case Controller package.

Laboratory and field installations have demonstrated case temperature stability within 0.5 degree of set point, and reductions in compressor cycling by up to 60%. Regulating glycol mass flow to meet the unique needs of each case results in an overall reduction in glycol pump speed and energy consumption.

By pairing a fully modulating stepper motor valve with advanced adaptive algorithms, we can achieve consistent flat line control and eliminate the headaches associated with system commissioning. Just set your case temperature, and walk away.

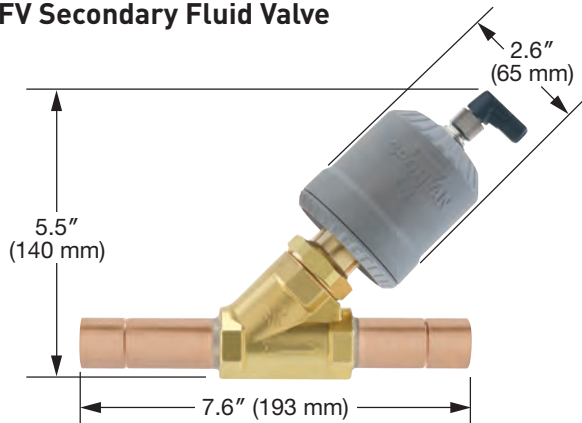


### Sporlan Secondary Fluid Control Comparison



ENGINEERING YOUR SUCCESS.

## SFV Secondary Fluid Valve



## Valve Specifications

- Bipolar Hybrid Stepper Motor
- 2500 Steps, 200 Steps/Second
- Voltage: 12VDC (-5% +10%)
- Current: 185 mA / winding
- Operating Temperature:
  - 0°F to 140°F (18°C to 60°C)
- MRP: 300 psig (20.7 bar)
- ODF Connections Available:
  - 5/8", 7/8", 1-1/8", 1-3/8"
- Removable M12 Cable
  - 20' Standard, 10' Available
- Approved for Propylene Glycol and Water
- Flow Coefficients:
  - Cv = 12, Kv = 10.3

## Controller Specifications

- Supply Voltage: 120-240VAC 50/60Hz, 2A fused
- Inputs:
  - (4) Temperature Sensors
  - (2) Switch Inputs
  - (1) Auxiliary Pressure Transducer
- Outputs:
  - (1) 12V Bipolar Stepper Motor
  - (3) Relay Output (5A res @ 240VAC)
  - (1) Anti-Sweat Pulsed SSR (5V/15mA max)
- Supports off-time, warm fluid, and electric defrost

## Mechanical

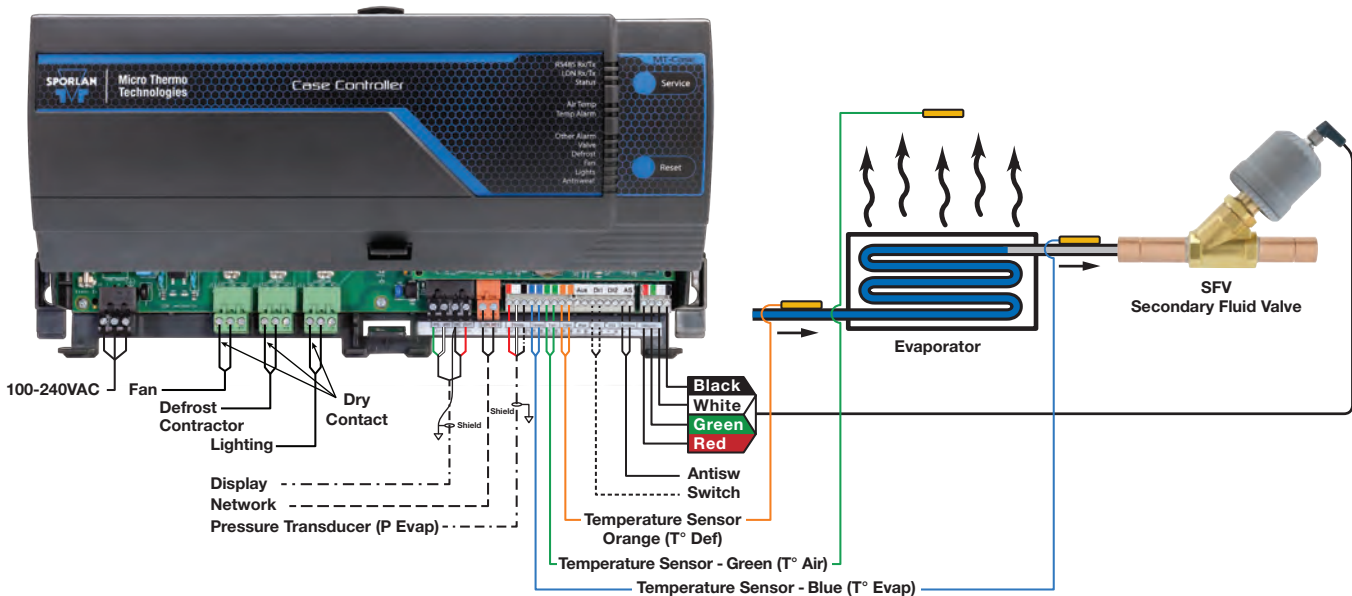
- Operating Temperature: -40°F to 168°F / -40°C to 75°C
- Humidity: 0-95% (Non-condensing)
- Enclosure: PC – Dark Gray
- Wiring: Screw and Push Terminal
- Mounting: SnapTrack panel, Wall Mount or DIN Rail

## Dimensions

- 12.50 x 4.56 x 2.15 inches / 318 x 173 x 76 mm

## Compliance

- Environmental: RoHS, WEEE
- Safety: UL/CUL (Recognized per 873)



Parker Hannifin Corporation

**Sporlan Division**

206 Lange Drive • Washington, MO 63090 USA

phone 636 239 1111

fax 636 239 9130

www.sporlan.com

