

CO2 Sensors 023-0388 Installation

For leak detection install the CO2 sensor on the rack at 12" (30cm) from floor.
 One 24VAC transformer can be used for many CO2 sensors only if the commun side is on the same side of the transformer
 (Calculate 3VA per CO2 sensor).

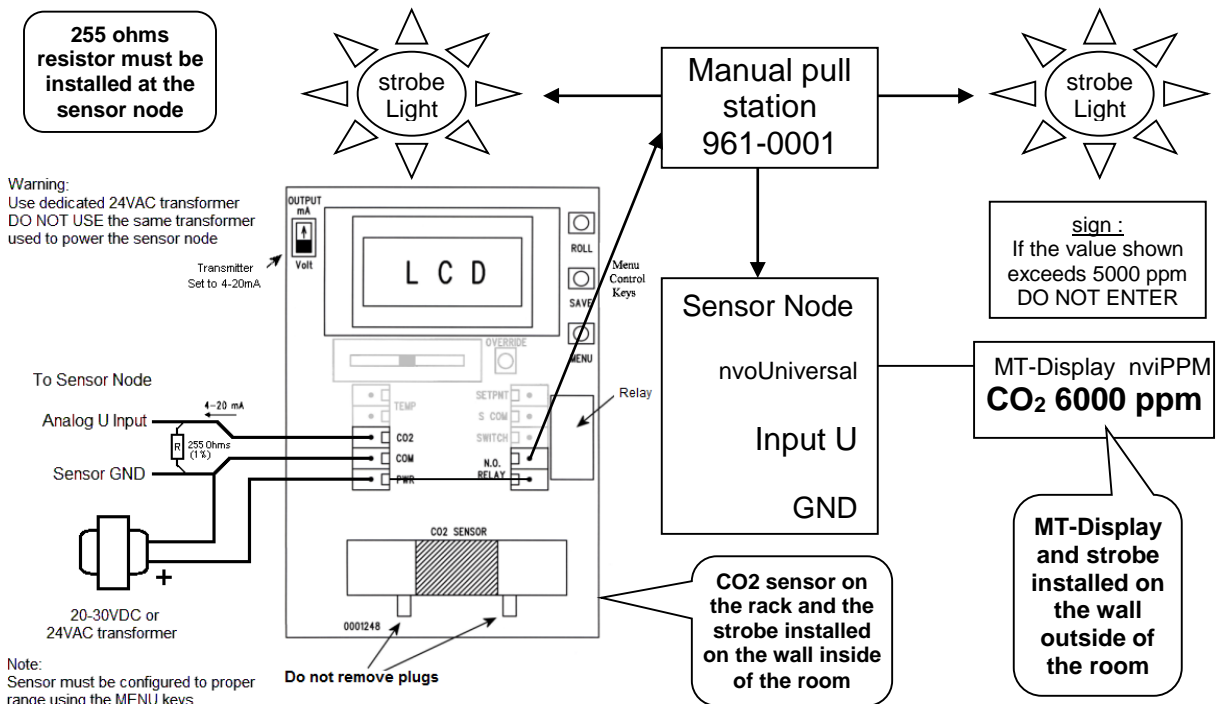
The CO2 sensor 023-0388 reading range should be factory set to 0-6000ppm, output set to 4-20mA. When powering the sensor the setting must be checked. To check press the Menu button. If these are not the settings make the changes as follow:
 OUTPUT switch to **mA** (4-20mA).

Press on MENU repeatedly to choose option, press on ROLL to change then press on SAVE to save change.
 Out High = 6000 PPM (Range)
 Relay SP = 4000 PPM (Relay On ↑)
 Relay Hy = 200 (Hysteresys to have Relay Off ↓ @ 3800 PPM)
 Auto Cal = On

To exit press MENU until you see Menu Exit then press SAVE.
 Connect the signal on 4-20mA mode with 470-0300 255 ohms resistor at the Sensor Node input to reduce the reading variation of PPM caused by the wire length.
 Option: Use a MT-Display 961-462C to display the PPM remotely. Power it on any 24V transformer (see installation documentation for Case Display PUID 72-MTA-1003.

Install sign « If the value shown exceeds 5000 ppm DO NO ENTER » above the MT-Display.
 Make the connections by following wiring instruction of a manual pull station 961-0001.

Make bindings between nvoUniversalX of the Sensor Node and nviPPM of the MT-Display.
 Create model on Alliance see section Adding a CO2 sensor model or PUID 72-MTA-1010.
 Set the High limit to 2500ppm and Low limit to 50ppm with a delay of 0 and a low priority.



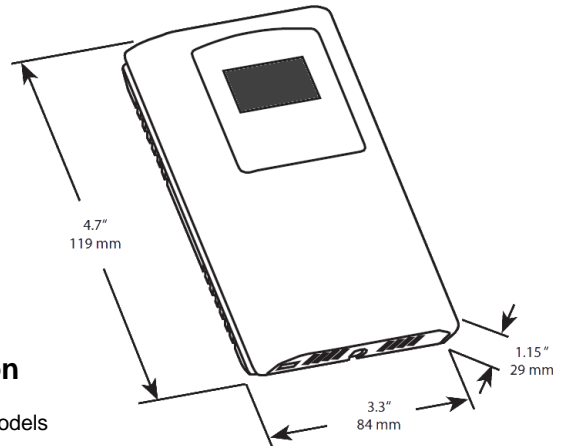
Addition of CO2 sensor model for MTA V5.X version

Already added in version 7.0
 Create sensor in the menu « Configure-Sensor Model » for the following models
 Model on key 341: 023-0388 CO2 6000 ppm (4-20mA)

The range and level of the relay must be changed specifically for the 023-0388 model
 Copy « CDD4 Wall Sensor Transmitter 20mA.bmp » in the "C:\Alliance\Images\SensorModels"
 If « CDD Wall Sensor Transmitter 20mA.bmp » is in the folder « Images-Sensor Models » it could be used but is not exactly the same.

Addition of CO2 sensor model for MTA V5.X version (suite)

Manufacturer: **Micro Thermo**
 Diagram: **CDD4 Wall Sensor Transmitter 20mA.bmp**
 Physical type: **Gas Concentration**
 Electrical type: **4-20mA**
 Choose Absolute
 Time Constant: **2 s**
 Max Range: **6000 ppm**
 Min Range: **0 ppm**
 Max Offset: **±200 ppm**
 Point 1: **0.02A at 6000 ppm**
 Point 2: **0.004A at 0 ppm**
 Max send time: **30 s**
 Min send time: **3 s**
 Send on delta: **40 ppm**



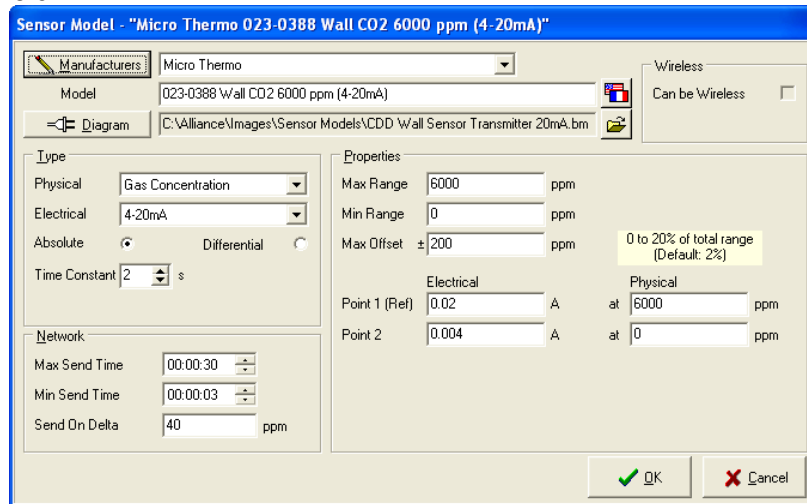
Addition of CO2 sensor model for MTA V6.X version

Create sensor in the menu « Configure-Sensor Model » for the following models

Model on key 341 :023-0388 CO2 6000 ppm (4-20mA)

If « CDD2 Wall Sensor Transmitter 20mA.bmp » is in the folder « Images-Sensor Models » it could be used but is not exactly the same.

Example in MTA V6.0



Configuration of alarm limits

